

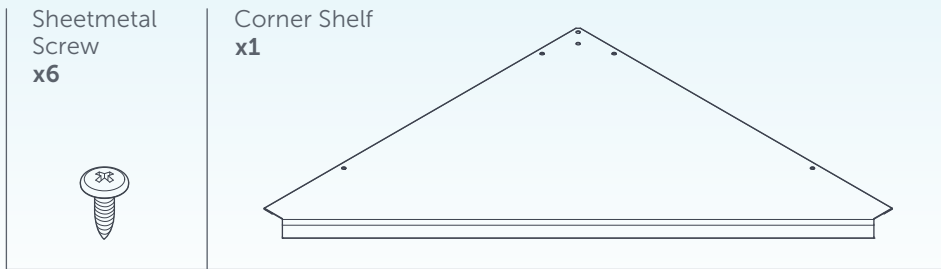


INSTALLATION GUIDE

TOOLS REQUIRED

- Cordless Drill
- PH2 Phillips-head Bit

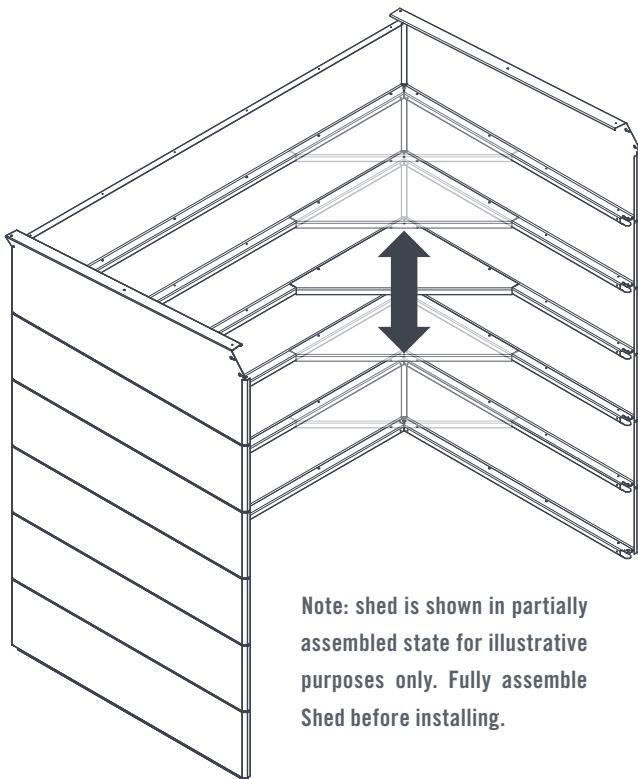
COMPONENTS



INSTALLATION

Handi-Pod® Garden Shed Corner Shelf Kits can be installed to any corner and at any Panel Lap.

Determine the corner location and height to install the Shelf.



Note: shed is shown in partially assembled state for illustrative purposes only. Fully assemble Shed before installing.

FIGURE 1.0

Remove the six existing Sheetmetal Screws from corners and Panel laps.

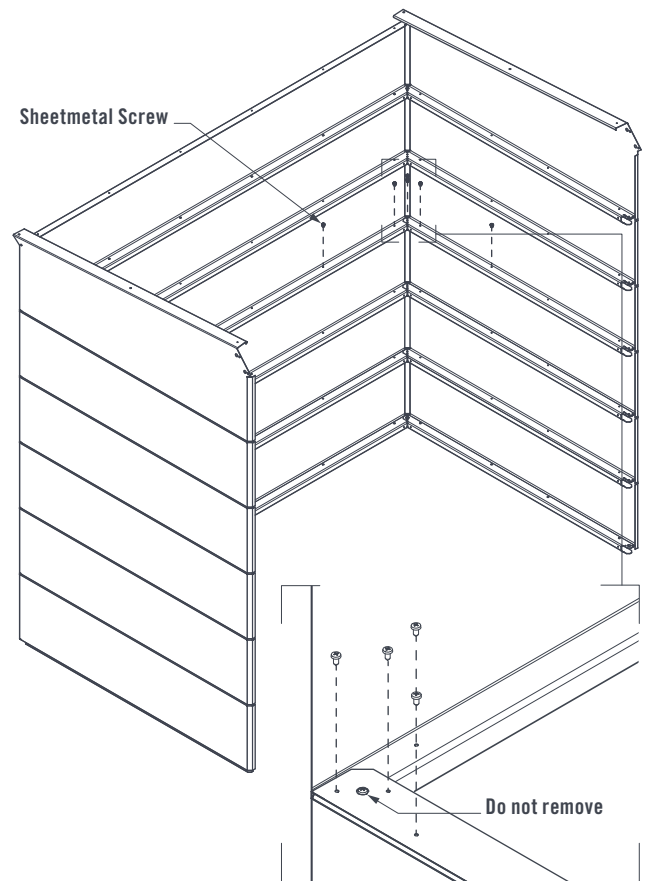


FIGURE 1.1

HANDI-POD® GARDEN SHED CORNER SHELF KIT

HANDI-POD® GARDEN SHED CORNER SHELF KIT INSTALLATION GUIDE



Fit the Corner Shelf to the Panels. The Corner Shelf slots onto the Panel Lap from the front.

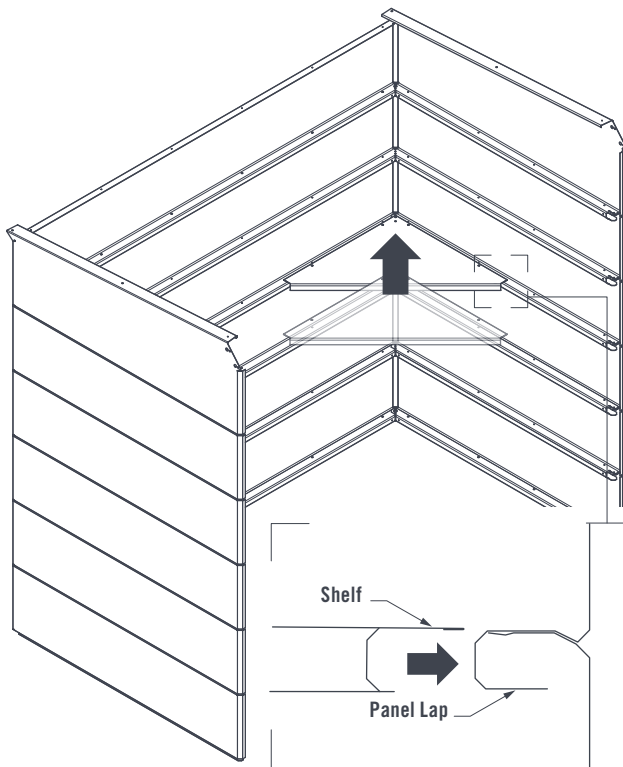


FIGURE 1.2

Re-install the Sheetmetal Screws that were removed in Figure 1.1.

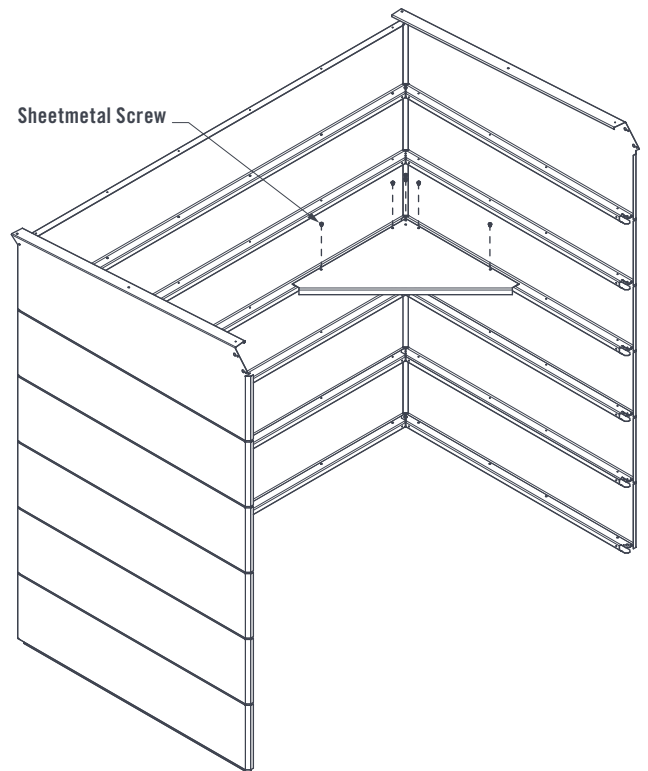
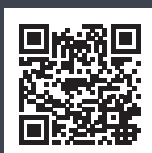


FIGURE 1.3



« SCAN THIS QR CODE TO FIND A STRATCO NEAR YOU

1300 155 155
stratco.com.au

All brands and logos/images accompanied by ® or ™ are trade marks of Stratco (Australia) Pty Limited. © Copyright Jan 2023

How To.

