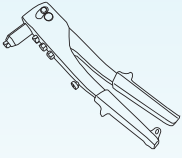
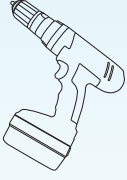
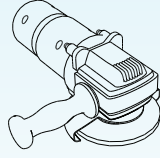
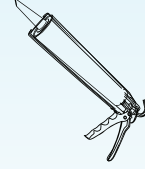
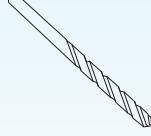
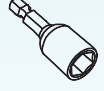



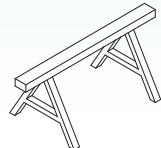


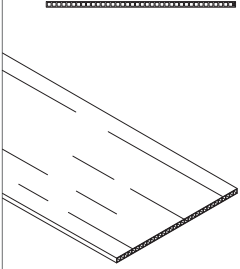
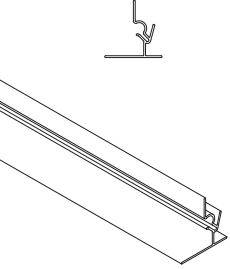
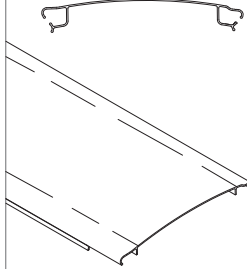
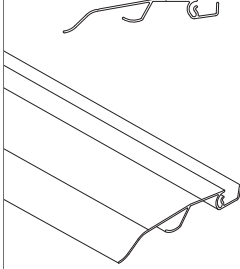
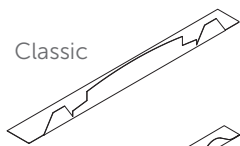
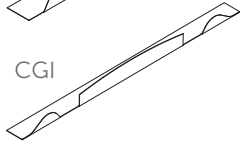




INSTALLATION GUIDE

TOOLS AND COMPONENTS

Rivet Gun 	Cordless Drill 	Grinder 	Caulking Gun & Silicone 	3.5mm Drill Bit 	3/16" Hex-Head Bit 
Tape Measure 	Gloves 	Safety Glasses 	2 x Trestles 	12x35 Self-Drilling Screw (with washer) 	3-4 Rivet 
Diffuser Panel 	Frame Rail 	Rooflite 	Adaptor Extrusions 	Cavity Cover Classic  CGI 	

COOL LIGHT INSTALLATION

Cooldek Cool Lights are situated between Cooldek sheets and are to be installed whilst Cooldek sheets are being fitted.

Cool Lights can be used in conjunction with Cooldek Classic and CGI in all thicknesses.

Prior to installation, cut the Top Sheet overlap (for CGI Cooldek panels ONLY).

Cut the Frame Rail and Diffuser Panel to the same length as the Cooldek Ceiling Sheet.

Cut the Adaptor Extrusions and Rooflite to the same length as the Cooldek Top Sheet.

CGI Cooldek Only: Identify the Top Sheet overlap for all CGI Cooldek panels which will be used in a Cool Light assembly. Trim back the Top Sheet overlap along the entire Cooldek sheet length (Figure 1.0).

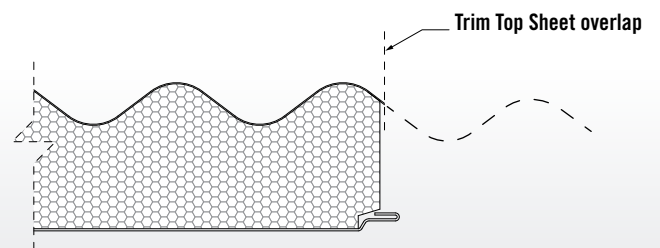


FIGURE 1.0

COOLDEK® COOL LIGHT™

Fix the first Cooldek Panel to the patio framework as per the recommended Cooldek installation. Move the next Cooldek Panel into place with the distance between ceiling panels at approximately 300mm (Figure 1.1). Measure at both ends of the Cooldek Sheets to ensure they are parallel.

Note: Care must be taken when adjusting the Cooldek position as to not scratch or mark the Cooldek Ceiling.

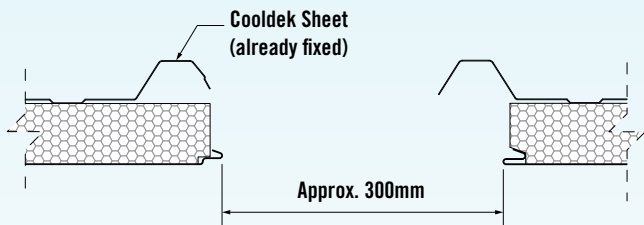


FIGURE 1.1

Position the first Frame Rail up to the side of the fixed Cooldek Panel. The Frame Rail must be hard against and parallel to the Cooldek Panel. Fasten the Frame Rail to the Cooldek Ceiling using colour-matched Rivets at 500mm centres. Position the other Frame Rail and fasten to the Cooldek Ceiling in the same manner (Figure 1.2).

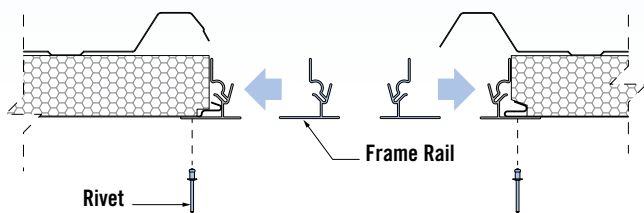


FIGURE 1.2

LED LIGHTING INSTALLATION

Use the following instructions if LED strip lighting has been provided.

Do not apply the LED strip if ambient temperatures are below 10°C. For ambient temperatures between 10-15°C, warm the tape to approximately 20°C before installing. The adhesive backing is affixed to the flat angled face of the Frame Rails.

To ensure effective adhesion of the LED strip, lightly sand the surface of the Frame Rail where the LED strip is to be attached. Remove dust and contaminants by wiping the roughened surface with a clean rag and isopropyl alcohol.

Fit the LED strip in place by applying firm hand pressure to activate the adhesive (Figure 2.0).

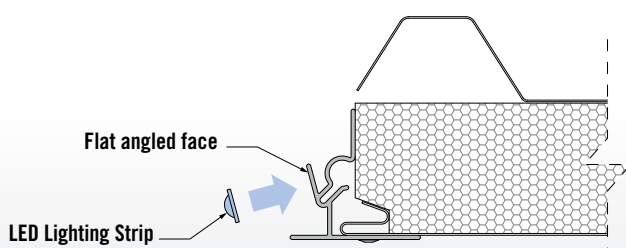


FIGURE 2.0

Begin fixing the LED light strip at the connector end. Have the connector end at the location where the extension lead and transformer will be meeting the connector.

The light strip can be looped around at each end of the Cool Light or excess trimmed off (Figure 2.1).

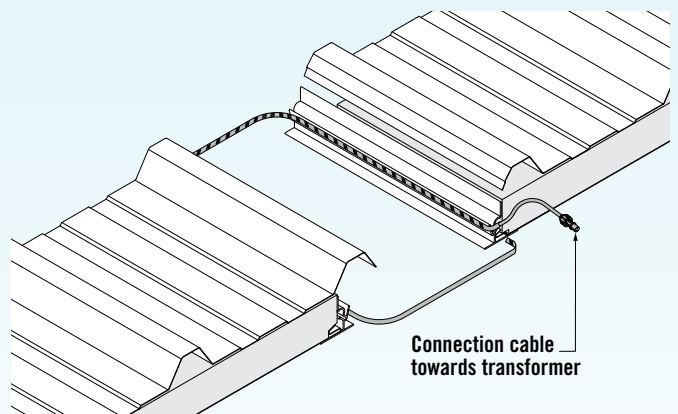


FIGURE 2.1

Fit the LED Retaining Clips over the Frame Rail (Figure 2.2).

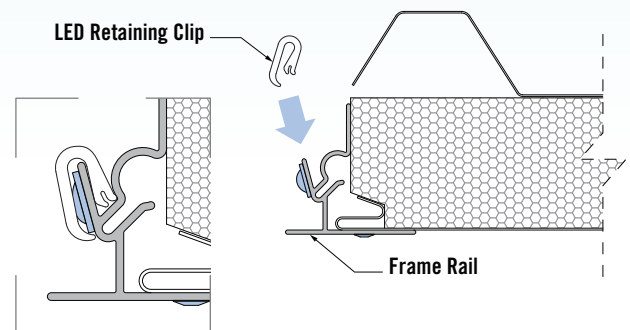


FIGURE 2.2

Retaining Clips must be spaced no greater than 200mm apart (or 12 LEDs between clips) (Figure 2.3).

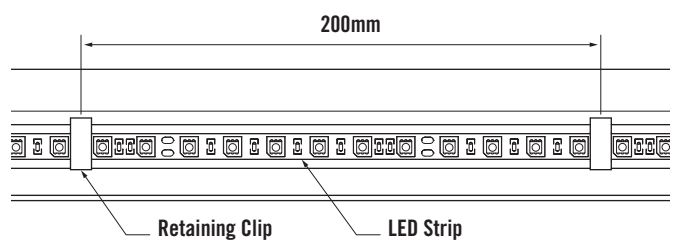


FIGURE 2.3

Ensure Retaining Clips do not cover the LEDs as this will cause inconsistent illumination of the LED strip (Figure 2.4).

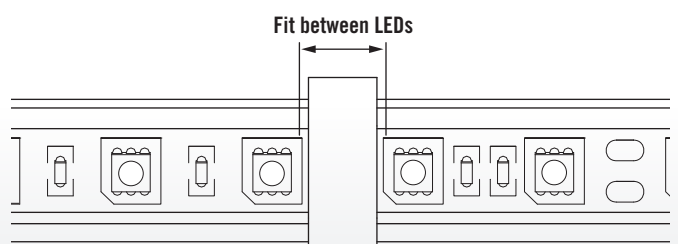


FIGURE 2.4

LED lighting extension leads must be routed back through to the transformer. All cables must be connected with the arrows on each plug facing each other (Figure 2.5).

Note: It is important to check that all lights are working before continuing with the Cooldek installation.

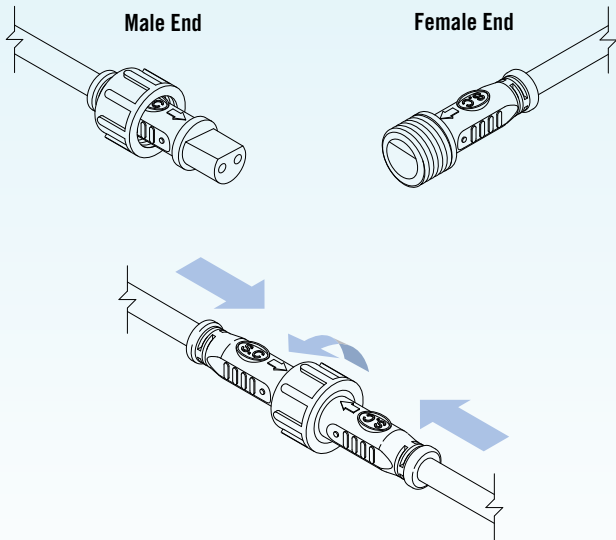


FIGURE 2.5

COOL LIGHT INSTALLATION

The Rooflite must be trimmed at one end, as to accommodate the fitment of the Cavity Cover. Trim two 80mm notches from one end of the Rooflite extrusion (Figure 3.0).

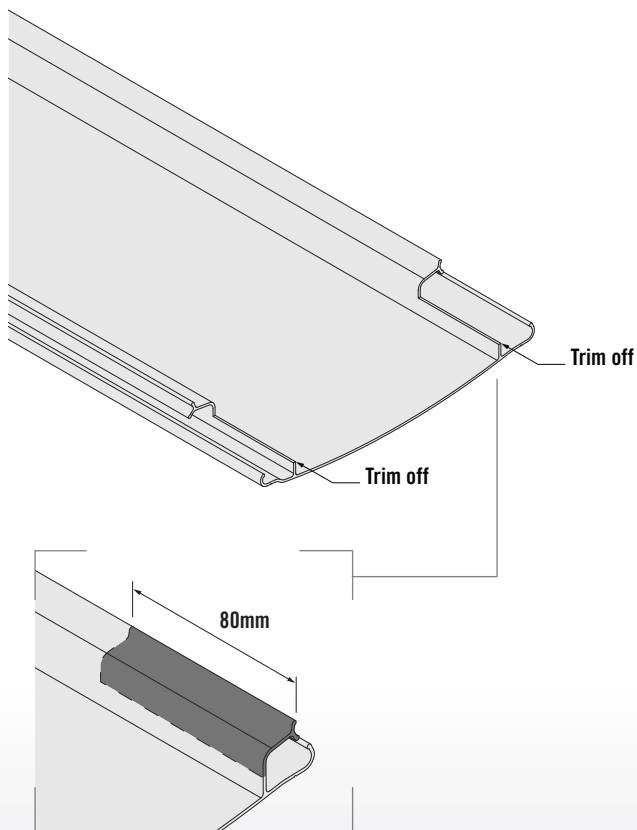


FIGURE 3.0

Ensure the Adaptor Extrusions and Rooflite are cut to the same length as the Cooldek Top Sheet.

Slide both Adaptor Extrusions all the way into the Rooflite. Turning the components upside-down will allow the Adaptor Extrusions to slide in more easily (Figure 3.1).

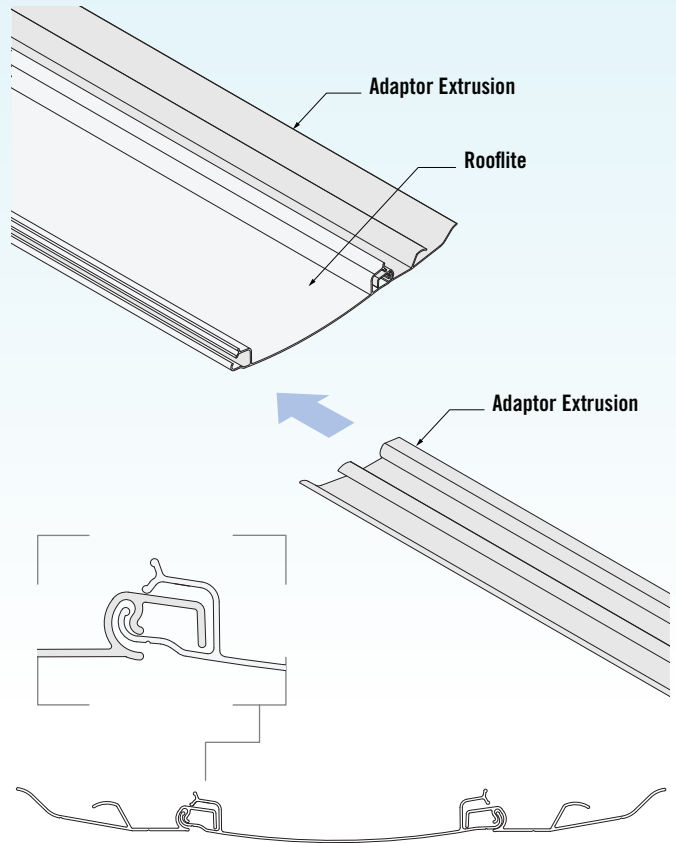


FIGURE 3.1

To ensure a water-tight seal, a bead of Silicone must be applied to the Extrusion ends that will be installed into the Back Channel (Figure 3.2)

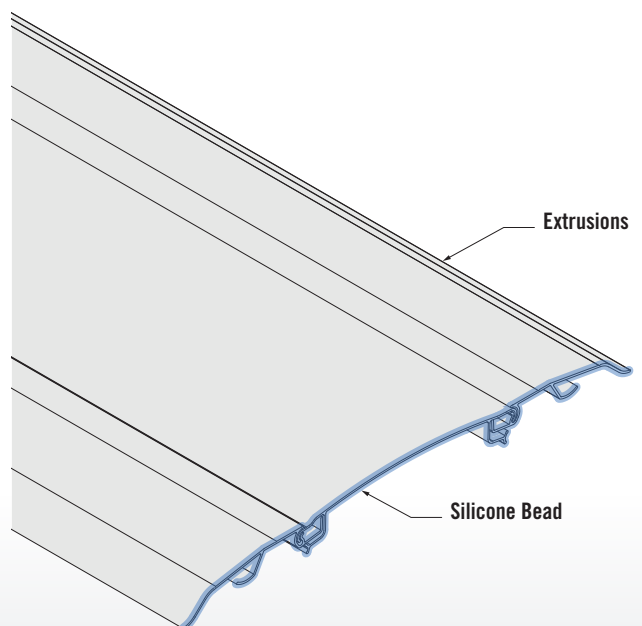


FIGURE 3.2

Lay the Adaptor Extrusions onto the Cooldek Panels. Ensure the Adaptor Extrusions fit over the crests of the Cooldek. Ensure the Silicone end is towards the Back Channel (Figure 3.3).

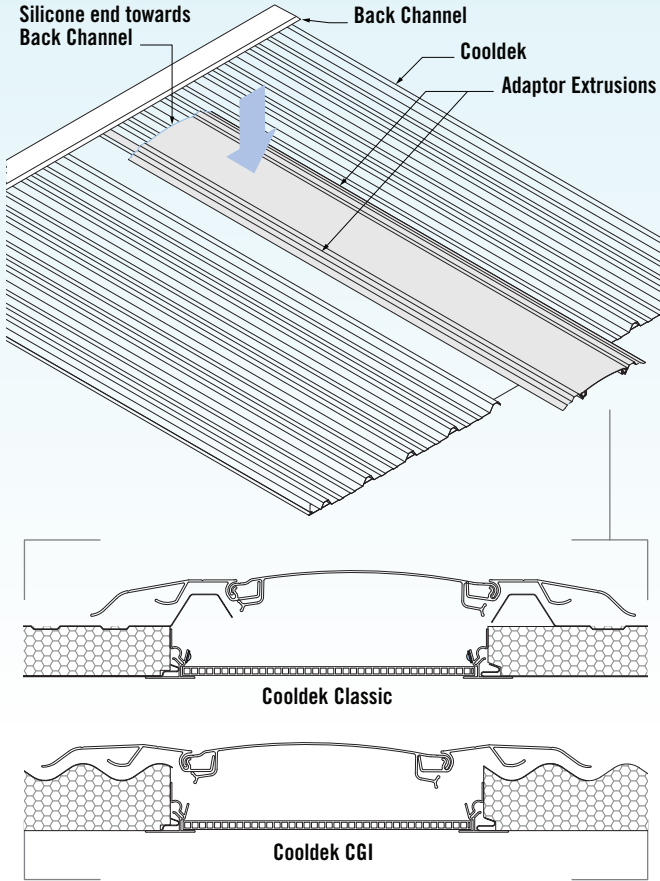


FIGURE 3.3

Slide the Cool Light assembly into the Back Channel and hard against the BIP foam. Fasten the Adaptor Extrusions to the Cooldek Roof Sheets using 12x35 Self-drilling Screws with Neo Washers ensuring maximum spacings of 500mm. Fasten the Rooflite to the Back Channel using a 12x35 Self-drilling Screw with Neo Washer (Figure 3.4).

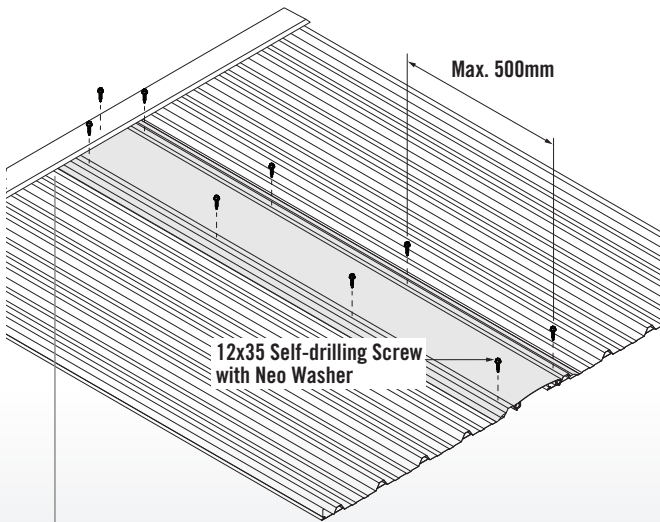


FIGURE 3.4

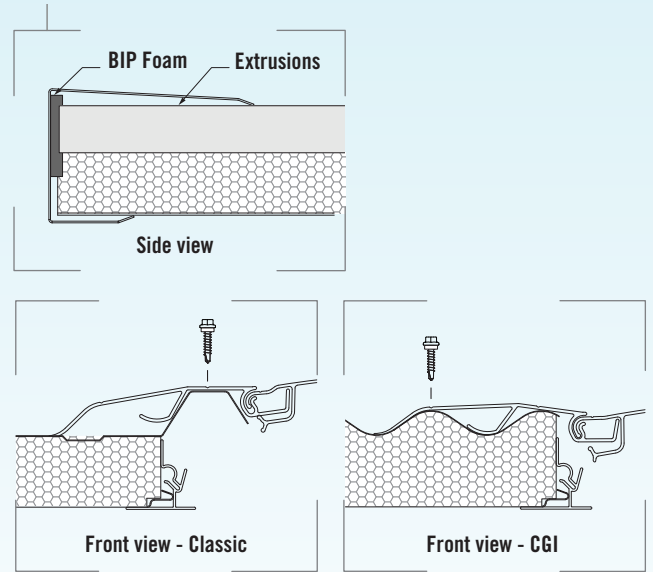


FIGURE 3.4 CONTINUED

JOINING EXTRUSIONS

- Components can be supplied at maximum lengths of:
- Rooflite: 9100mm
- Adaptor Extrusion: 6500mm
- Frame Rail: 6500mm
- Diffuser Panel: 7500mm

Cool Light installations that span longer than the supplied component length must be joined together to achieve required spans.

Fit the Adaptor Extrusions to the Rooflite as per Figure 3.1.. Apply a bead of Silicone to the end of the Adaptor Extrusions (Figure 3.5).

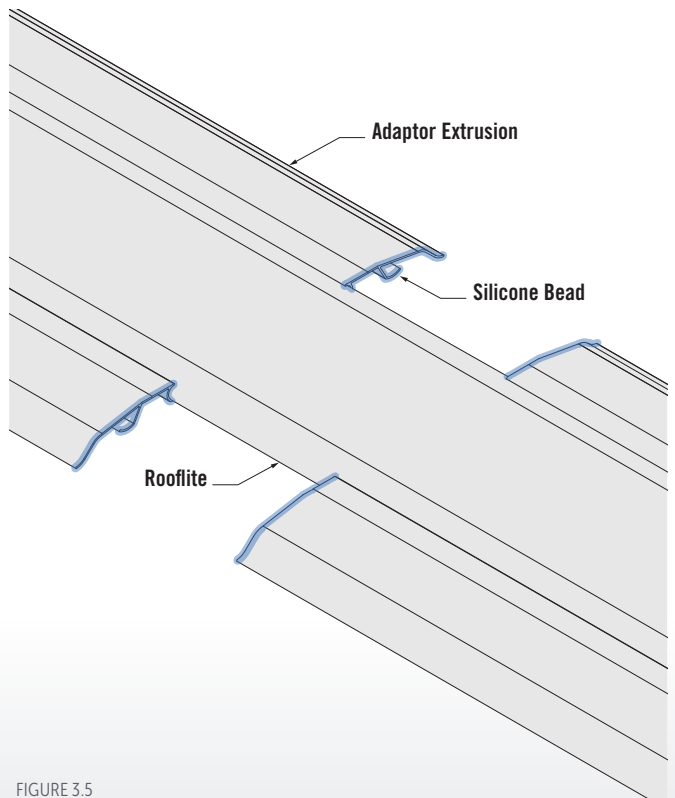


FIGURE 3.5

Fit the Extrusions onto the Cooldek Panels. Butt the second Adaptor Extrusions hard up against the first. Smooth off the silicone bead, applying more silicone as required to ensure the bead seals the joint between Extrusions. Fasten the Adaptor Extrusions to the Cooldek Sheets (Figure 3.6).

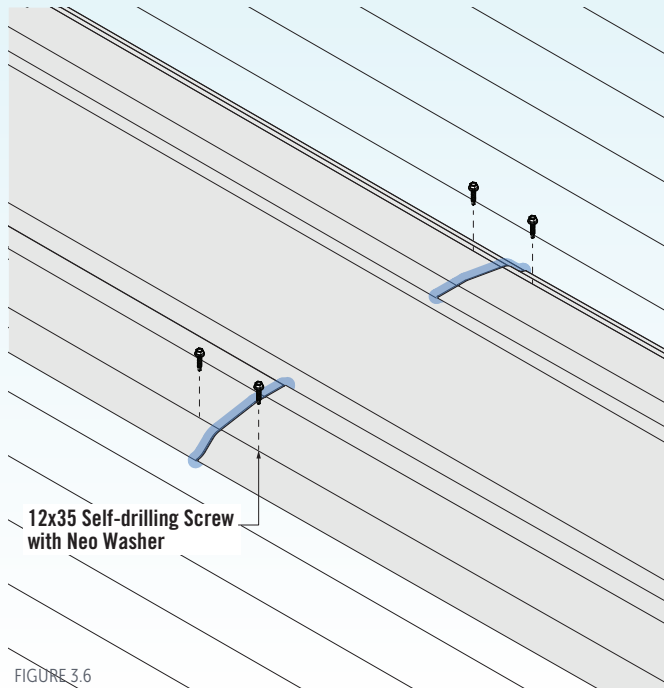


FIGURE 3.6

COOL LIGHT INSTALLATION CONTINUED

Ensure the Diffuser Panel is the same length as the Cooldek Ceiling Sheet. Fit the Diffuser Panel between the Frame Rails (Figure 3.7).

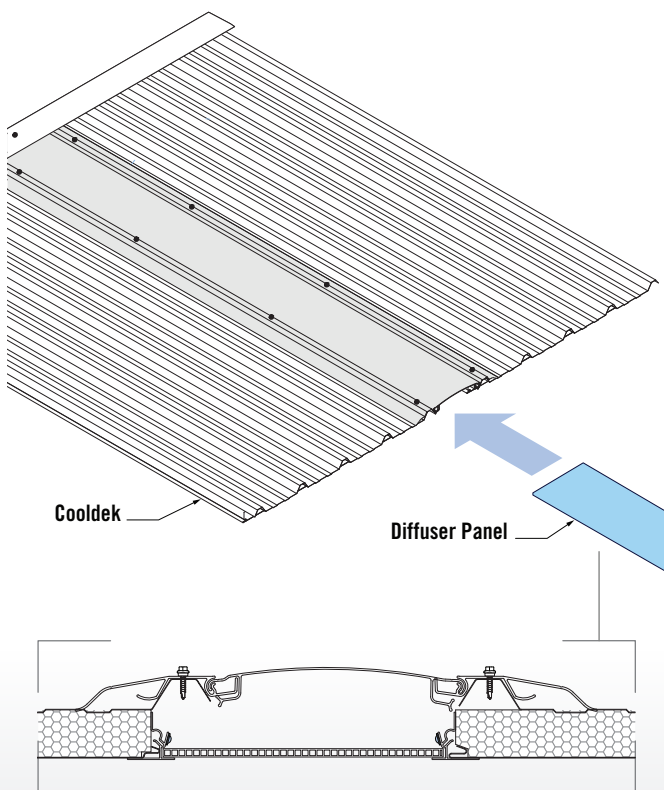


FIGURE 3.7

Position the Cavity Cover against the underside of the Cooldek Top Sheets. The Cavity Cover fits between the Cooldek Top Sheet and Flashing/ Gutter. Apply a bead of silicone between the Cavity Cover and Extrusions to close any gaps (Figure 3.8).

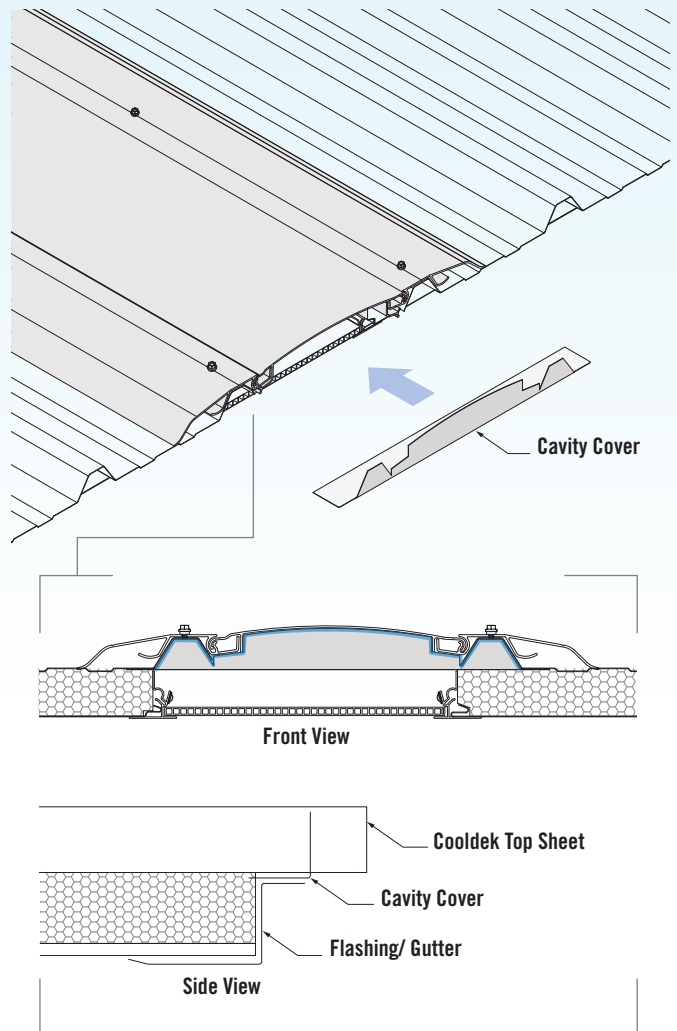


FIGURE 3.8

The remaining adjacent Cooldek sheet can now be secured to the patio framework. Use the recommended Cooldek screws to crest fix through to any patio framework, with additional screws required either side of the Cool Light opening. Remove the cyclonic caps and replace with aluminium bonded washers when pan-fixing to Cooldek Classic (Figure 3.9).

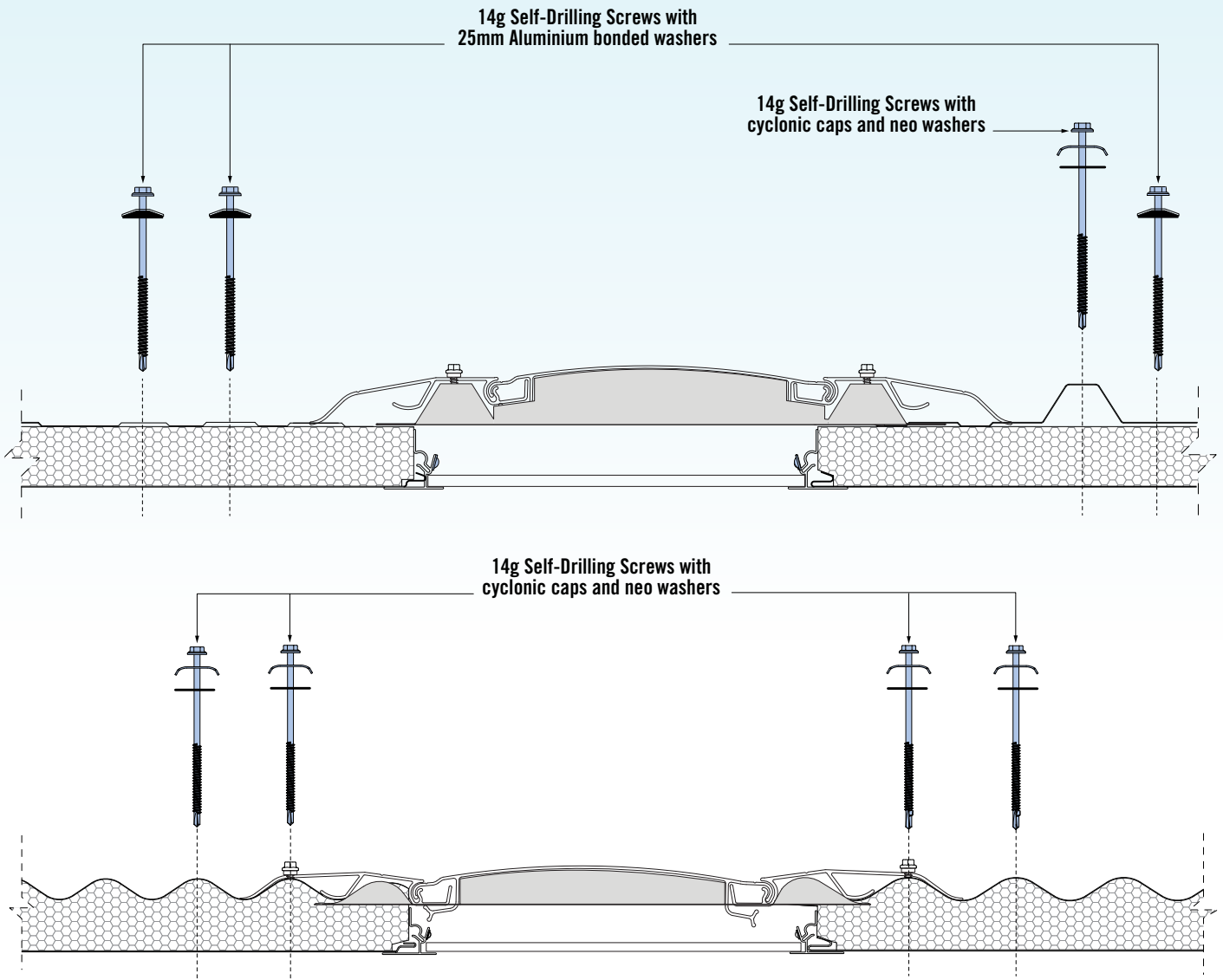


FIGURE 3.9



« SCAN THIS QR CODE TO FIND A STRATCO NEAR YOU

1300 155 155
stratco.com.au

All brands and logos/images accompanied by © or ™ are trade marks of Stratco (Australia) Pty Limited. © Copyright June 2023

How To.

