

Infinity

INFINITY AND INFINITY IS DECKING INSTALLATION GUIDE

Version: A4.0 | 2024-04-19



Before installing, please ensure you have downloaded the latest version of this installation guide by scanning this code.

www.eva-last.com

A PRODUCT BY

EVA-LAST[®]
INSPIRED BY NATURE, DESIGNED FOR LIFE.

Contents

Introduction	3
1. Critical installation points.....	3
2. Pre-installation.....	5
3. Cutting and fastening.....	6
4. Planning and installation.....	13
5. Disclaimer and copyright	20
6. Appendix A - Profiles and compatible fasteners	21
7. Appendix B - Installation	25
8. Appendix C - Summary matrix of expansion gaps for different conditions	35
9. Appendix D - Corrosion References.....	38
10. Appendix E - Troubleshooting	41

Introduction

Thank you for choosing an Eva-last® decking product. This guide aims to provide the essential information needed to successfully install an Infinity and I-Series deck. It is assumed, however, that the user of this document has a basic understanding of deck building practices and pertinent building codes. Compliance with the requirements captured herein must be met for full warranty coverage.

Infinity bamboo composite is the ultimate in durability and one of the toughest co-extruded composite ranges available. Its resilient protective cap made of advanced polymer resists scratches, fade, mould, and mildew, and makes Infinity exceptionally low maintenance, requiring only the most basic cleaning for ultimate longevity. Enjoy the stain and slip resistance of this environmentally friendly alternative to wood. See the list of profiles and corresponding fasteners captured in **Appendix A**.

1. Critical installation points

This summary of critical installation points in no way replaces the full Infinity Installation Guide which is available for download on www.eva-last.com. It is recommended that you download and familiarise yourself with the full installation guide.

Substructure:

- Plan your substructure to align with the intended deck layout.
- Ensure the substructure members are appropriately sized for the requisite spans. Ensure the installation thereof is sound and level. Ensure suitable connections are utilised between members and between the substructure and the applicable substrate. Consult an appropriately qualified professional wherever necessary.
- Use appropriate spans. This will depend on regional legislative requirements. Most regions require the satisfaction of both ultimate and serviceability conditions.

The table below summarises the achievable span of various profiles for the conditions outlined above and in Section 4.1. The profiles moment of inertia and elastic section modulus is also captured for convenience. For additional information please refer to the Infinity TDS or email rad@eva-last.com.

Profile details					Maximum span (Metric – mm)					
Profile code	Profile shape	Moment of inertia, Ix (mm ⁴)	Elastic sectional modulus, Sx (mm ³)	US approach		Eurocode (and similar) approach				EN 15334
				Ultimate	Serviceability	Residential (2 kPa)		Commercial (4 kPa)		
						Ultimate	Serviceability	Ultimate	Serviceability	
STGJ02AE	I-Series - Grooved deck board	144 053	10 292	406	406	500	500	450	450	400
STGJ113	I-Series 113 - Grooved deck board	124 689	8 434	406	406	500	500	400	400	300
STGJ07AE	I-Series - Wide Grooved Deck Board	132 923	10 426	406	406	500	500	450	450	400
STGJ131	Solid Grooved Deck Board	136 768	11 893	406	406	500	500	450	450	400
STGJ02AE	Solid square edge board	189 274	14 903	406	406	500	500	450	450	400

Profile details					Maximum span (Imperial – inches)						EN 15334
Profile code	Profile shape	Moment of inertia, Ix (mm ⁴)	Elastic sectional modulus, Sx (mm ³)	US approach		Eurocode (and similar) approach					
				Ultimate	Serviceability	Residential (2 kPa)		Commercial (4 kPa)			
						Ultimate	Serviceability	Ultimate	Serviceability		
<i>Infinity</i> STGJ02AE	I-Series - Grooved deck board	0.35	0.63	16	16	20	20	18	18	16	
<i>Infinity</i> STGJ113	I-Series 113 - Grooved deck board	0.29	0.52	16	16	20	20	16	16	12	
<i>Infinity</i> STGJ07AE	I-Series - Wide Grooved Deck Board	0.32	0.64	16	16	20	20	18	18	16	
<i>Infinity</i> STGJ131	Solid Grooved Deck Board	0.33	0.73	16	16	20	20	18	18	16	
<i>Infinity</i> STGJ02AE	Solid square edge board	0.46	0.91	16	16	20	20	18	18	16	

- The information provided herein is purely indicative and all applications should be assessed and/or designed by a competent professional irrespective. See **Section 4.1** for more information.
- Support boards along all cut edges.
- Use double joists at all butts joins so that both board edges are fully supported.
- Use noggins between joists where breaker boards are used. The spans between noggins must not be greater than the maximum centre-to-centre span of Infinity and I-Series.

Fastening:

- Hulk halo (s-series) or Chain Collated Clips must be used when installing Infinity profiles. The manufacturer cannot guarantee a successful install using other decking clip brands which could then affect your warranty.
- Use two fasteners (hidden clips or top fixings) at every joist.
- Boards wider than 150 mm (5.906”) require three fasteners per joist when top fixed.
- Maintain a clip fastening distance of between 10 mm (0.379”) (minimum) and 20 mm (0.788”) (maximum) from the end of the board.
- When top fixing boards (decking and fascia), ensure a spacing of 30 mm (1.182”) between fasteners and from any board edge.
- Appropriate fasteners must be used when top fixing.
- **Do not over-tighten any fasteners.** The torque setting of your driver must be less than 30% of the maximum allowable.
- **When installing I-Series profiles use an adjustable depth stopping bit or collar to prevent overdriving.**

Ripping:

- Use a solid profile when it is necessary to rip a profile.
- I-Series profiles can be ripped but must have a minimum of 2 feet after ripping with an overhang no greater than the foot width.
- Do not rip solid groove boards narrower than 60 mm (2.113”) or square edged boards narrower than 90 mm (3.554”).

Trim or Fascia:

- Install your trim or fascia beneath the lip of the boarder board.
- Leave a small gap between the Trim and deck board for expansion and contraction.

Expansion:

- Infinity can expand and contract up to similar rates experienced with typical wood-plastic composite materials.
- To allow for an appropriate expansion gap per board, multiply the length of the board (**L**) by 0.04 (0.000022) and by the difference between the installation temperature and the possible maximum temperature of the boards (Change in Temp.):

Change in board length = **L** x 0.04 x Change in Temp.

Example: Change in board length = 5.45m x 0.04 x (36 - 18) | (18' x 0.000022 x (96.8 - 64.4))

Change in board length = 3.924mm | (0.155")

Expansion gap = 3.924mm / 2 | (0.270" / 2)

Expansion gap = 1.962 mm (0.078") (either end of the board)

Please refer to the **Section 3.5.1** for more information on this topic.

- Use the same method to estimate maximum gap size (when boards are fully contracted) to ensure this is suitable for the project.
- Where the expected temperature range is high consider using lighter coloured deck boards to reduce the required expansion gap.
- To further reduce the expansion gap, boards can be cut to shorter lengths.
- Breaker boards must be used between boards that are installed end-to-end to assist in controlling expansion and contraction.
- Use boarder boards around the perimeter of an installation to further assist in controlling expansion and contraction.
- Do not use grooved decking boards for stairs, breakers and/or boarder boards, only use square edge boards.
- If the expansion and contraction is not managed appropriately, the warranty may be affected.

2. Pre-installation

2.1 Standards

Legislation may differ between jurisdictions. Before installing any Eva-Last product, ensure that the application is rational and complies with the local regulations and building codes. Wherever necessary, consult a suitably qualified professional. Be sure to comply with material manufacturer specifications. Where manufacturer's specifications and building codes differ, revert to the building code requirements. Check that your choice of product is suitable for its intended application. For further product specification and information visit www.eva-last.com.

2.2 Safety

Refer to the applicable Material Safety Data Sheet (MSDS) for additional information. Please do not hesitate to contact Eva-Last should you require any additional assistance.

Always wear appropriate Personal Protective Equipment (PPE) for the various activities involved in installing a decking system. This includes, but is not limited to, equipment such as safety glasses, helmets (where necessary), gloves and boots, masks when cutting or similar, and harness systems when working at heights or similar, as dictated by the local occupational health and safety legislation.

Be mindful of the following:

- Ensure to comply with the local occupational health and safety legislation.
- Cutting (and similar processing activities) of Infinity can produce fine particulate matter.
- Cut boards may have sharp edges (particularly mitered cuts).
- Ensure any parties necessary of the above when handling and installing this material, in the vicinity where this is required, or as users of the installed product.

2.3 Storage and handling

Note the following:

- Individual boards are lighter than typical wood-plastic composites (WPC) and can be more easily handled. Boards are, however, bundled for convenience which can be heavy. Take care when lifting, placing on to, or removing from raised pallets. More than one person may be required for lifting depending on the length of the boards and the number of boards. Ensure the mass handled does not exceed safe limits as defined by applicable local legislation.
- When handling lengths of boards greater than 4 m (13 ft), ensure both ends are lifted simultaneously and evenly. Hold the boards 1 m (3ft) from each end to provide better control.
- Handle the boards carefully. Dropping the boards (and all high impact loads in general) can result in damage to the profiles.
- During transportation use corner protectors where strapping is required.
- All components should be stored completely under cover.
- When storing boards, a pallet or flat surface should be used to support the full length of each component.
- All components should be securely stored.
- No component should sit in water or similar.
- Avoid over-stacking and/or eccentric stacking.
- Keep boards strapped until they are needed for installation.
- Avoid cutting boards until they are needed for installation.
- I-Series profiles may be slotted into one another for more compact storage. To release a profile, slide the profile out from one end.

2.4 Planning and site preparation

- Consult an appropriately qualified professional whenever necessary to ensure the product, this document and the intended application complies with all applicable legislation for that region.
- Assess the environment of the site and ensure the product is suitable for the intended application.
- Identify aspects such as the corrosion category, loading class, etc. of the site and project that may influence the selection of the products or the application thereof.
- Determine appropriate spans for the selected material technology and profile. This will depend on the application as well as the loading class as defined by the local legislation. Suggested spans are provided for typical residential scenarios
- (refer to Section 4).
- Develop a maintenance plan to ensure the longevity of the system. This should consider aspects such as drainage, corrosion, vegetation growth, cleaning, etc.
 - With respect to drainage, ensure pooling water and/or erosion below and around the deck footprint is prevented.
 - With respect to corrosion, ensure any exposed metals are coated whilst accessible. In areas of high corrosion classes, add additional coating layers and regularly check for signs of corrosion.
 - With respect to vegetation below the deck footprint, ensure all vegetation has been removed prior to installing the deck. Install a suitable geotextile or plastic membrane to prevent further regrowth. Ensure the geotextile/membrane is fixed in place and protected from weathering.
- Decking at certain heights will require railing. Refer to the local legislation, or consult a suitably qualified professional, for guidance as to what height this is required at and the railing requirements thereof.

3. Cutting and fastening

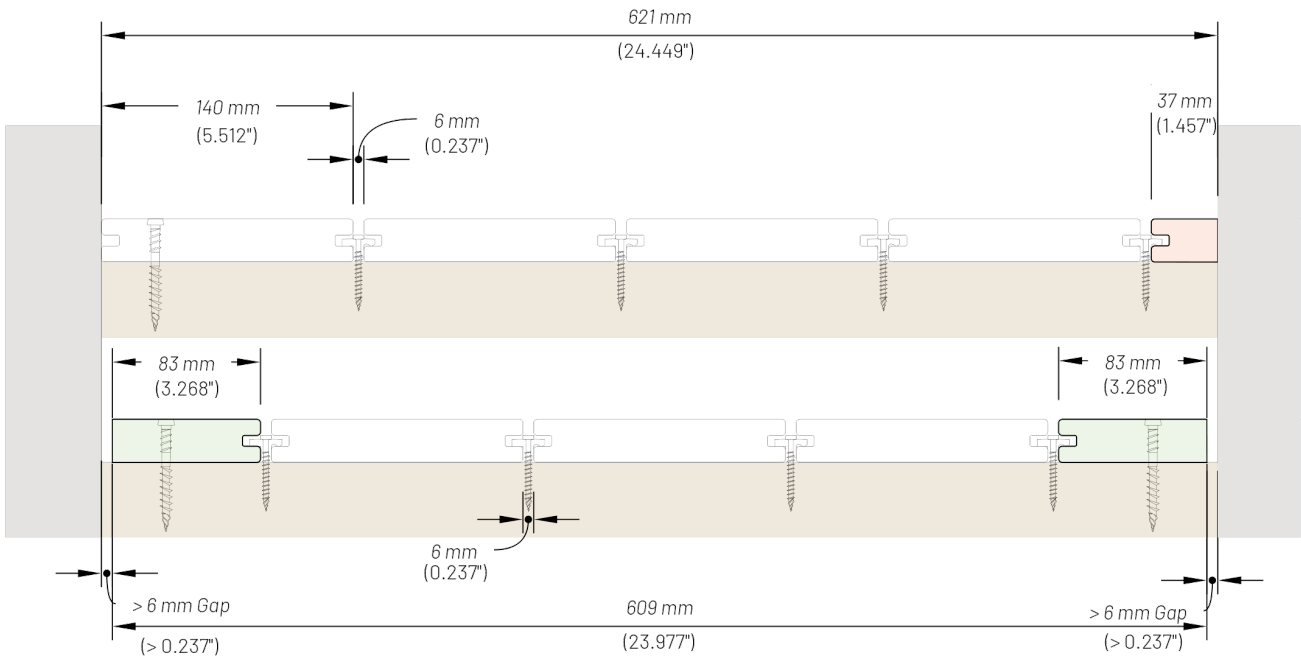
3.1 Cross cutting

- Please ensure that the appropriate PPE and safety precautions are adhered to whilst cutting composite material.
- Use a fine toothed, carbide tipped blade to cut composite material.
- Use an 80-tooth or finer, 260 mm (10") diameter, cross-cut blade.
- Infinity boards are provided as factory cut. Ends should be trimmed to carpentry cut.
- Boards can be mitred, angles less than 30° are to be avoided. Be sure to account for the additional length required in the joints when doing so.

3.2 Ripping

- For best results when ripping composite boards use a table saw or ripping jig.
- Cutting boards will expose the core of the board. Plan the board layout/install appropriately to limit the visibility of these edges so as not to negatively impact the aesthetics of the install.
- Do not rip boards thinner than 60 mm (2.113") for grooved boards or 90 mm (3.544") for square edged boards.
- In the case where it would be necessary to cut a board to less than 60 mm (2.113") wide, rip both the first and last board of the deck footprint to balance the required widths instead. Refer to below infographic for guidance.

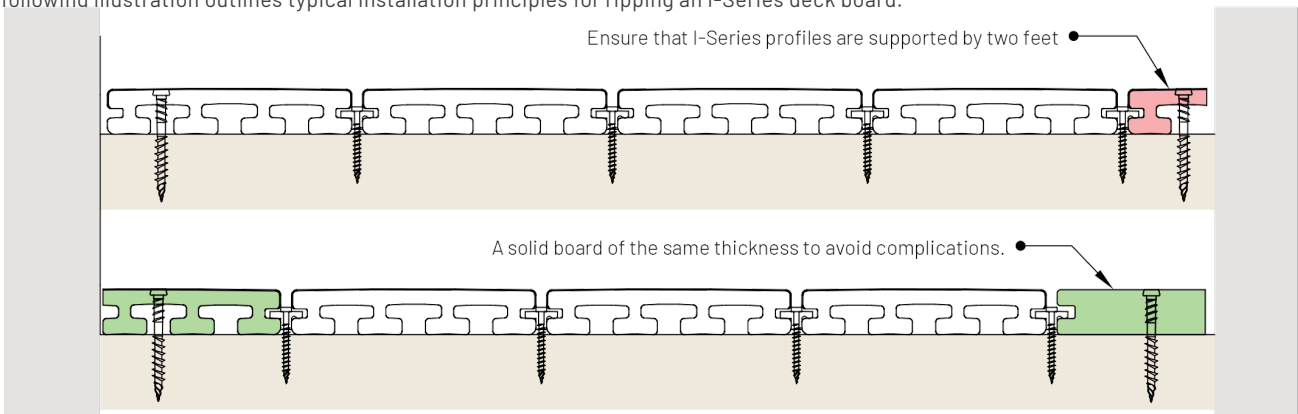
The following illustration outlines typical installation principles for ripping a deck board, which can be used for boards of any size. By following the above principles, you can ensure a successful installation.



3.2.2 Ripping I-Series boards.

- Ensure grooved profiles that ripped are supported by a minimum of two feet. This will dictate minimum ripping width.
- In cases with Square edge I-Series profiles, ensure that there are a minimum of three feet.
- Ensure that the ripped lip of the profile does not extend past the foot.
- A solid board of the same thickness can be used for ripped applications.
- Ensure that ripped profiles maintain minimum fastening distances.

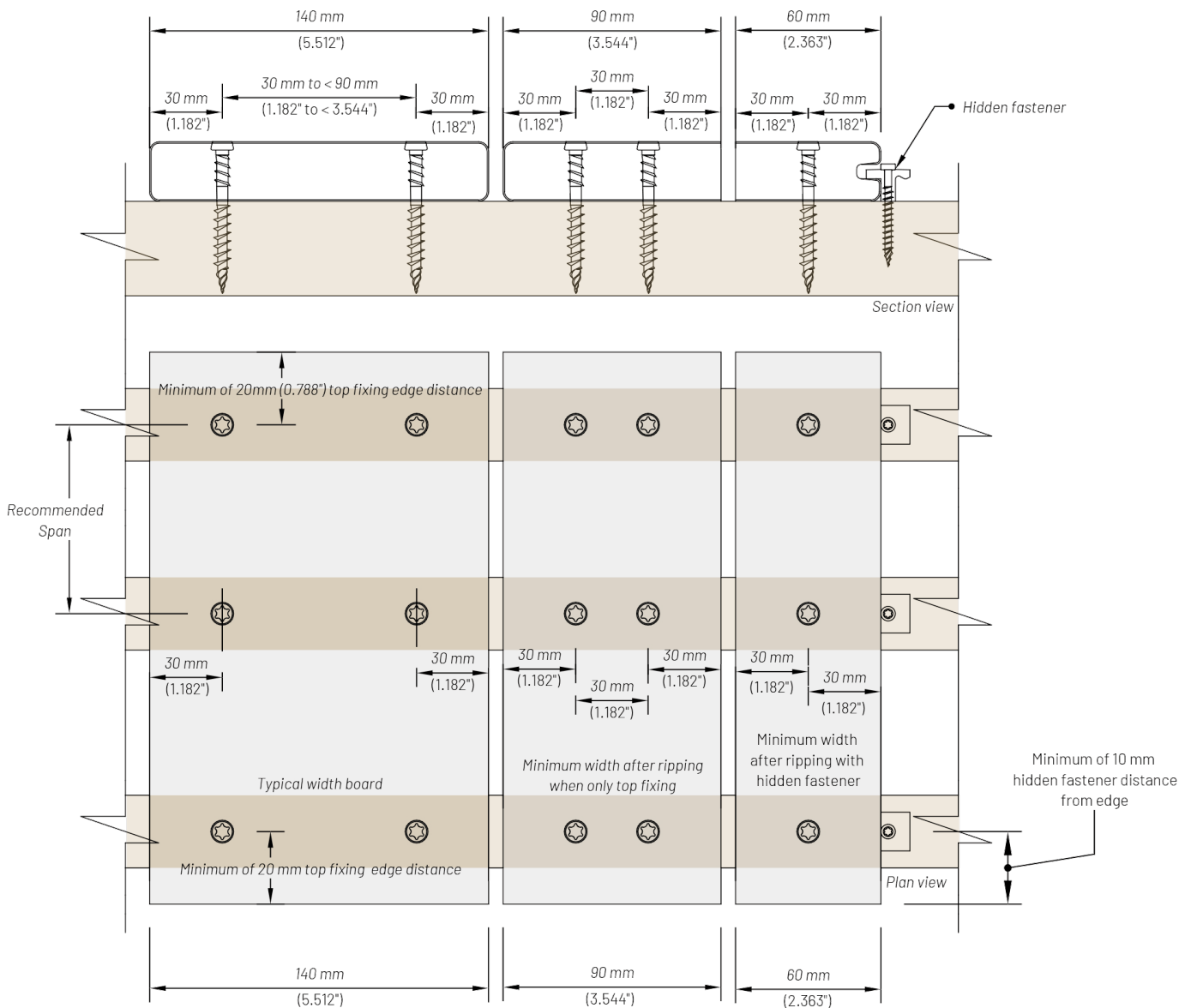
The following illustration outlines typical installation principles for ripping an I-Series deck board.



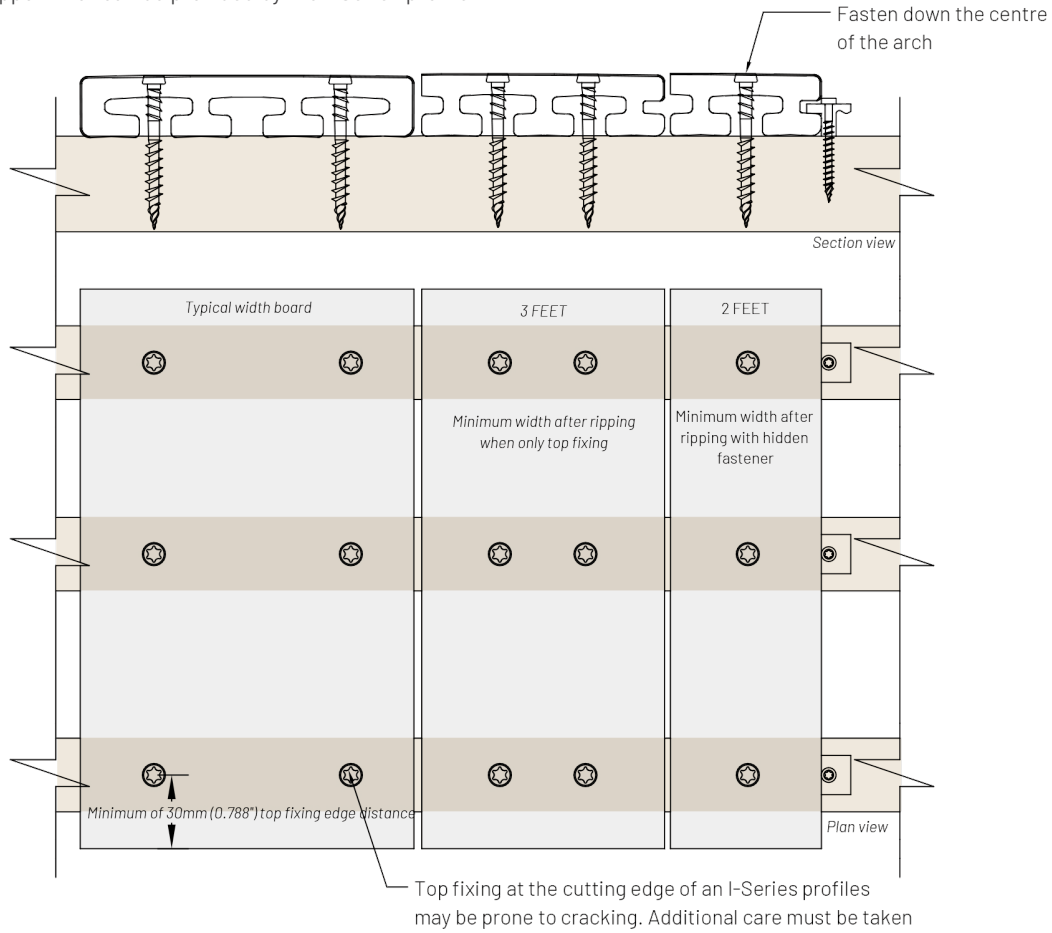
3.3 Top fixing

- When top fixing boards, fasten the boards exactly 30 mm (1.182") from any edge of the board.
- When top fixing boards, adjacent screws should be at least 30 mm (1.182") apart.
- Fasten at every joist and use a minimum of two fasteners per joist to board connection.
- Maintain a clip fastening distance of between 10 mm (0.379") (minimum) and 20 mm (0.788") (maximum) from the end of the board.
- Pre-drill composite in temperatures below 5°C (41°F), pre-drilling hole sizes should be equal to the minor diameter of the screw.
- Do not use nails to fasten Infinity boards.
- Use high quality fasteners suitable for the life span of the deck and the atmospheric conditions of the site. Consider the corrosion category of the site relative to the corrosion protection offered by the fastener. Consult with a suitably qualified professional where necessary. Feel free to also contact a member of Eva-Last for further assistance.
- A drill with adjustable torque settings is recommended. Set the torque settings to less than 30% of the maximum allowable torque of the driver. Do not use an impact driver.
- **Do not over drive the screw.**
- When installing I-Series profiles use appropriate torque settings and use an adjustable depth stopping bit or collar to prevent overdriving.

The following illustrations outline typical fastening principles for a top fixing application on the minimum ripped profile size as related to the recommended fastening edge distances, which can be implemented for profiles of any size.



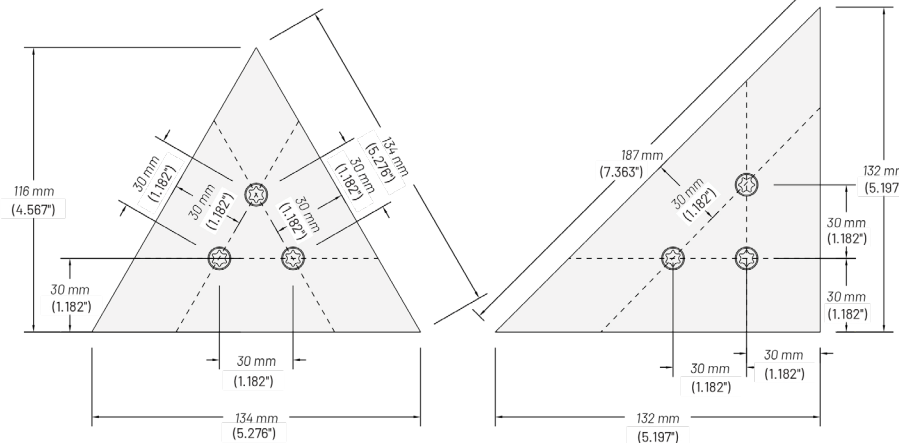
The following illustrations outline typical fastening principles for a top fixing I-Series application on the minimum ripped profile size that are dictated by the support that can be provided by the I-Series profile.



3.4 Cutting and fastening triangular pieces.

- Where deck boards are cut to odd shapes, additional fasteners may be required.
- All three edges of a triangular piece should be supported. All three corners of a triangular piece should be fastened.
- Spacing between fasteners should be at least 30 mm (1.182") apart and must maintain 30 mm (1.182") from any edge.
- Geometry of triangular pieces are limited by the fastening and edge distance. Below infographics provide an indication of minimum allowable sizes of different theoretical triangular pieces.
- I-Series profiles are not suitable for this application. Use solid boards of the same thickness should small parts be needed.

The following illustrations outline typical fastening principles for small triangular deck pieces, which can be used for profiles of any size.



3.5 Cutting length

Before boards are laid, the final cut length of a board must take into consideration the possible changes in length of the board due to thermal expansion and contraction. Appropriate expansion gaps must always be maintained between boards and/or between boards and other obstacles for full warranty coverage.

3.5.1 Fundamentals of expansion and contraction

- The expansion, and contraction, of a board is influenced by:
 - The material of the board,
 - The length of the board, and
 - The change in temperature the board experiences relative to the temperature of the board at installation.
- The linear coefficient of expansion for the Infinity material technology is up to 40×10^{-6} mm/m/°C (0.000022 "/°F). This means that a board of this material can expand, and contract, up to 0.04 millimetres per meter length, (0.000022" inches per inch length), per degree change in temperature.
- To estimate an appropriate expansion gap (ΔL) per board, multiply the length of the board (L) by a coefficient of 0.04 (0.000022)(α) and by the maximum difference in temperature between the installation temperature and the possible temperature of the boards (ΔT):

$$\Delta L = L \times \alpha \times \Delta T$$

- The temperature change of the board will be influenced by the colour of the board. Darker board colours will result in board temperatures higher than the ambient temperature of the site.
- A summary matrix of expansion gaps for different temperature and length conditions is captured in **Appendix C** for convenience.

3.5.2 Installation best practice for boards that expand and contract.

- Allow boards to acclimatise on site before installation so that the movement of the boards across the installation is more uniform.
- Uniform board movement, similar board lengths, and consistent installation temperatures can make planning for expansion gaps easier.
- Care must be taken in environments susceptible to generating large changes in board temperature. In addition to sites with extreme ranges of temperature, this can include areas with large reflective surfaces, such as metal and glass, from rooves, facades, windows, doors, etc.
- For sites with extreme temperature ranges, lighter board colours are advised to help mitigate against large board movements.
- Use breaker boards between boards that are installed end-to-end, and/or boarder boards around the perimeter of an installation, to assist in controlling expansion and contraction.
- Use shorter board lengths to reduce the size of expansion and contraction gaps.
- For sites with extreme temperature ranges, longitudinal boards can be cut in half and multiple breaker boards installed at butt joints.
- A gap between parallel boards must be maintained at between 5.8 mm and 6.5 mm (0.229" and 0.256"),, irrespective of the type of fixing used. The same sized gap should be utilised between boards and any other obstruction. These spaces will allow for expansion and contraction as well as assist with drainage, ventilation, and the removal of debris.
- When using hidden fasteners at sites with extreme temperature ranges, additional top fixers can be installed at the joist closest to the mid-point of the board. This pins the board at the centre, allowing equal expansion in both directions of the board.
- Fixing (both hidden and visible) at every joist can be utilised to further limit expansion and contraction. In these scenarios, it is important to fix the board twice at every joist.
- When aesthetically suitable, skirting boards, cladding, facades, and similar can be installed at intersections between walls and deck boards to help hide gaps.
- Unobstructed clearance between the ground and a deck can assist with ventilation which can help moderate temperature fluctuations.
- Check maximum expected contraction of a board to ensure large gaps do not develop at low temperatures.

3.5.3 Determining expansion and contraction gaps.

Below is a set of steps to assist with estimating the size of the required expansion gaps for an installation. It is necessary to install deck boards with appropriate expansion gaps to avoid negative impacts on adjacent boards.

These steps can be replicated to estimate the potential maximum contraction of a board. This is done using an estimated 'minimum board temperature' in place of the estimated 'maximum board temperature' in Steps 1 and 4.

Estimating the contraction is useful in establishing what the maximum gap between boards may be at low temperatures, and whether this will be acceptable to the client. In addition, gaps greater than 20 mm can result in exposure of fasteners and underlying substructure.

1. Estimate the historical maximum (or minimum) site temperatures. Use this to estimate anticipated board temperatures, making allowances for increased surface temperatures due to board colour and/or additional exposure to temperature/sunlight. Darker coloured boards can get up to 15 °C (59 °F) hotter than the ambient temperature. Site conditions such as reflective surfaces can further increase this estimate. For sites with anticipated high temperature ranges, it is advisable to use lighter coloured boards. **[Maximum (or minimum) board temperatures]**
2. Estimate, or measure, current install temperature of the boards, making the same allowances as above where applicable. This may have to be repeated for large sites where the installation time can extend over several hours or days. **[Install board temperature]**
3. Based off the planned deck layout, determine the required board length. This will naturally have to be repeated for layouts where multiple board lengths are required. **[Board length]**
4. To estimate the **Change in board length (ΔL)**, multiply the **Board length (L)** by a coefficient of 0.04 (0.000022)(α) and by the difference in temperature between the **Install board temperature** and the **Maximum (or minimum) board temperatures (ΔT)**:

$$\Delta L = L \times \alpha \times \Delta T$$

Where ΔT = **Maximum board temperature** minus **Install board temperature**
 or ΔT = **Install board temperature** minus **Minimum board temperature**

This is the possible increase in board length if the board were to experience the estimated maximum board temperature. It is also equivalent to the **expansion gap required** at the time of installation. This is shared at both ends of the board.

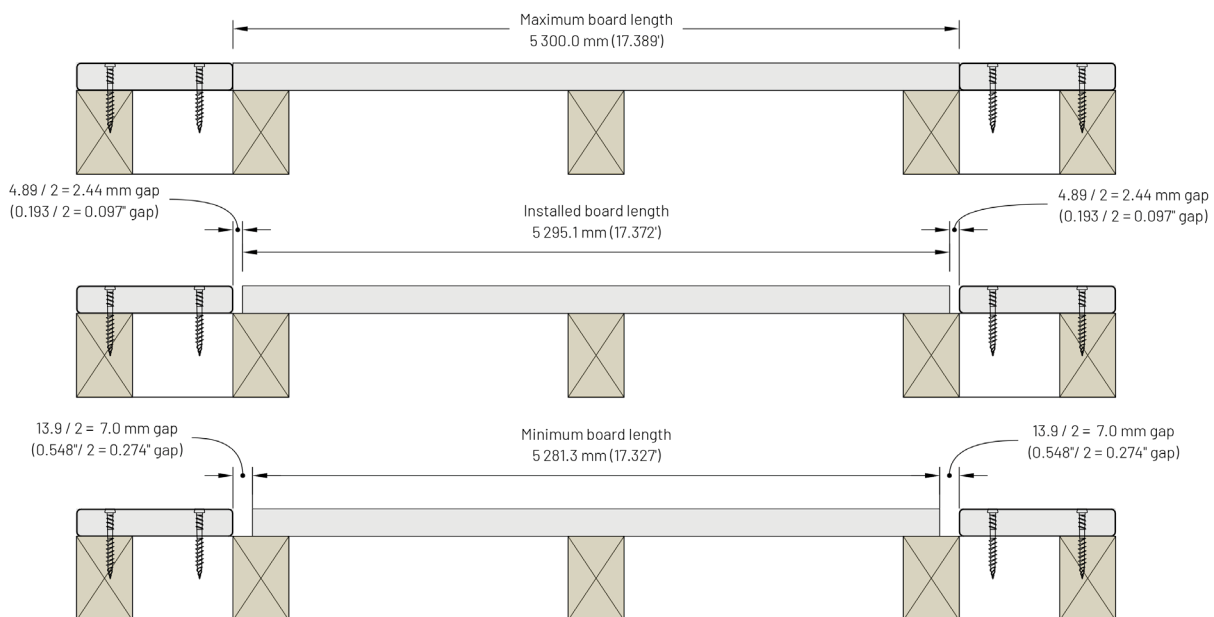
Or this is the expected **maximum contraction gap** if the board were to experience the estimated minimum board temperature. This is shared at both ends of the board.

5. Determine the length to which the supplied boards should be cut to satisfy the required board length and the required expansion gap. **[Final board length]**

Below is an example of implementing the above steps for a deck in Bloemfontein, South Africa. The intended colour of the boards will be one of the darker colours. The deck layout results in a typical board length of 5 300 mm with no boards installed end-to-end (i.e. breaker boards are utilised). Note that if boards were to be installed end-to-end the expansion/contraction gaps between consecutive boards would double.

Step	Parameter	Pioneer	Unit	Notes
1	Linear coefficient of expansion	0.0000401 (0.000022)	mm/mm/°C (""/°F)	
	Maximum historical site temperature	40 (104)	°C (°F)	Data from online search.
	Estimated maximum board temperature	55 (131)	°C (°F)	15°C added for a darker board.
	Minimum historical site temperature	-10 (14)	°C (°F)	Data from online search.
	Estimated minimum board temperature	-10 (14)	°C (°F)	
2	Install board temperature	32 (89.6)	°C (°F)	Measured from the board on site.
3	Deck length	5300 (17.389)	mm (ft)	Based on site layout.
4	Maximum positive change in temperature	23 (73.4)	°C (°F)	Maximum board temperature less install temperature.
	Positive change in length	4.89 (0.193)	mm (ft)	
	Expansion gap required	4.89 (0.193)	mm (ft)	
	Expansion gap required at either board end	2.45 (0.097)	mm (ft)	Half total expansion gap required. Rounded up.
	Minimum negative change in temperature	42 (107.6)	°C (°F)	
5	Negative change in board length	8.93 (0.352)	mm (ft)	Install temperature less minimum board temperature, rounded down
	Potential total maximum contraction gap	13.9 (0.548)	mm (ft)	Expansion gap plus negative change in board length, rounded down
	Contraction gap at either end	6.95 (0.274)	mm (ft)	Half total potential contraction gap, rounded down
	Minimum board length	5286.1 (17.343)	mm (ft)	The shortest possible length of the board based on historic temperatures
	6	Final length	5295.2 (17.373)	mm (ft)

The following illustrations outline typical expansion principles, of boards at their different lengths in relation to maximum, minimum and ambient temperature.



4. Planning and installation

4.1 Substructure planning and installation

Below are guidelines to consider during the planning and installation of deck substructure:

- Ensure the substructure members are appropriately sized for the requisite spans. Ensure the installation thereof is sound and level. Ensure suitable connections are utilised between members and between the substructure and the applicable substrate. Consult an appropriately qualified professional wherever necessary.
- The US typically requires the satisfaction of a 100 psf (4.79 kPa) load with a factor of safety of 2.5 for ultimate conditions and a serviceability limit of the span/180. The failure load of a deck board is adjusted by a factor to account for the degradation of material performance due to long-term weathering, etc.
- Most other regions that Eva-Last typically distribute to have adopted some form of the Eurocodes. This designates different classifications of imposed load dependent on the intended application. There are relatively minor differences between the loads for these designations per region. As a result, to simplify the information presented herein, these loads have been broadly grouped into two typical classes
 - Residential application: imposed load of 2 kPa, and
 - Commercial application: imposed load of 4 kPa.

An imposed load factor of 1.6 is applied and the board failure load is adjusted by a material factor that is typically used to account for variability, etc. but is also used in this case to cater for the degradation of material performance due to long-term weathering, etc. The serviceability is also considered, and a limit of the span/300 employed.

- Based on the AC 174 test regime used to assess code compliance in the US, an adjustment factor of 0.9 for the Infinity material was established and is utilised herein as the long-term weathering/material factor. For further information, the background to the determination of this adjustment factor is captured in the Infinity TDS and underlying test reports.
- The approach and resultant summary herein do not consider concentrated loads. Information pertaining to this, and the use of the respective boards in applications such as stairs, can also be found in the Infinity TDS and underlying test reports.
- The assessment assumes a simply supported board that is unbraced.
- EN 15534 has additional requirements for the material performance of wood-plastic composite (WPC) products. This includes minimum failure loads (3 kN) and maximum deflections (2 mm) at specific loads (500 N) for the boards.
- I-series type profiles are susceptible to hairline cracks under the top flange when subjected to impact tests, however, testing indicates that the immediate resultant loss in ultimate load performance is relatively small.
- The table below summarises the achievable span of various profiles for the conditions outlined above. The profiles' moment of inertia and elastic section modulus is also captured for convenience. For additional information please refer to the Infinity TDS or email rad@eva-last.com.

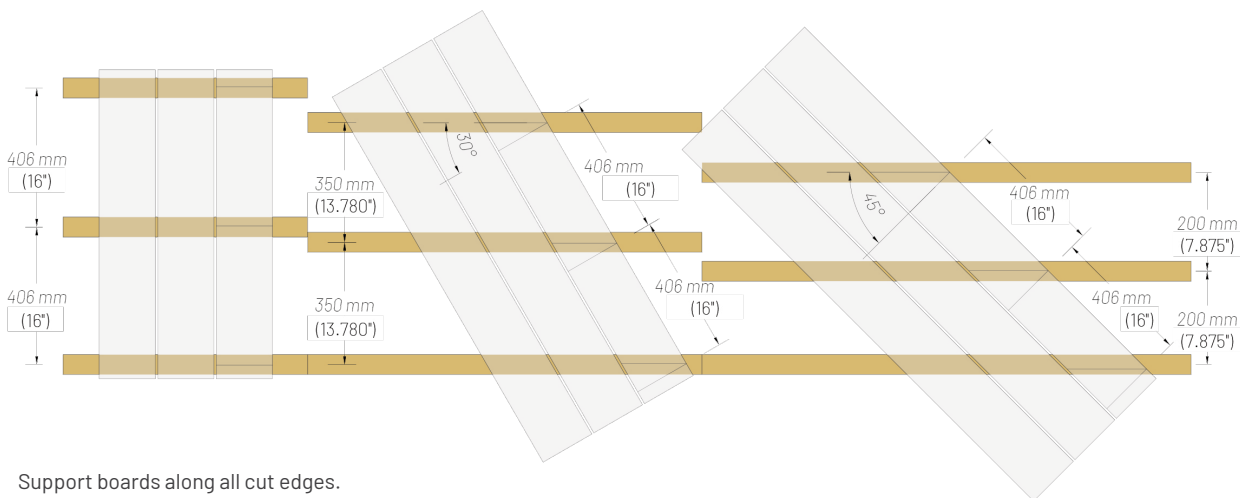
Profile details		Maximum span (Metric - mm)								
Profile code	Profile shape	Moment of inertia, Ix (mm ⁴)	Elastic sectional modulus, Sx (mm ³)	US approach		Eurocode (and similar) approach				EN 15334
				Ultimate	Serviceability	Residential (2 kPa)		Commercial (4 kPa)		
						Ultimate	Serviceability	Ultimate	Serviceability	
STGJ02AE	I-Series - Grooved deck board	144 053	10 292	406	406	500	500	450	450	400
STGJ113	I-Series 113 - Grooved deck board	124 689	8 434	406	406	500	500	400	400	300
STGJ07AE	I-Series - Wide Grooved Deck Board	132 923	10 426	406	406	500	500	450	450	400
STGJ131	Solid Grooved Deck Board	136 768	11 893	406	406	500	500	450	450	400
STGJ02AE	Solid square edge board	189 274	14 903	406	406	500	500	450	450	400

Profile details					Maximum span (Imperial - inches)					
Profile code	Profile shape	Moment of inertia, I _x (mm ⁴)	Elastic sectional modulus, S _x (mm ³)	US approach		Eurocode (and similar) approach				EN 15334
				Ultimate	Serviceability	Residential (2 kPa)		Commercial (4 kPa)		
						Ultimate	Serviceability	Ultimate	Serviceability	
<i>Infinity</i> STGJ02AE	I-Series - Grooved deck board	0.35	0.63	16	16	20	20	18	18	16
<i>Infinity</i> STGJ113	I-Series 113 - Grooved deck board	0.29	0.52	16	16	20	20	16	16	12
<i>Infinity</i> STGJ07AE	I-Series - Wide Grooved Deck Board	0.32	0.64	16	16	20	20	18	18	16
<i>Infinity</i> STGJ131	Solid Grooved Deck Board	0.33	0.73	16	16	20	20	18	18	16
<i>Infinity</i> STGJ02AE	Solid square edge board	0.46	0.91	16	16	20	20	18	18	16

- The information provided herein is purely indicative and all applications should be assessed and/or designed by a competent professional irrespective.
- Where boards are not installed perpendicularly to joists, the joist spacing must be modified to ensure that the board spans do not exceed the specified span for Infinity. See below table and figure for explanation thereof:

Typical spans mm (inches)	Resultant span (mm) at different board angles	
	30°	45°
457.2 mm (18")	390 mm (15.4")	318 mm (12.5")
406.4 mm (16")	350 mm (13.8")	200 mm (7.9")
304.8 mm (12")	260 mm (10.3")	212 mm (8.4")

The following illustration outline the typical principles of adjusting spans in relation to board angles as they change across supports.



- Support boards along all cut edges.
- Use double joists at all butt joints so that both board edges are fully supported.
- Use noggins between joists where breaker boards are used. The spans between noggins must not be greater than the maximum centre-to-centre span of Infinity.
- Do not overhang boards by more than 20 mm (0.788") from a support edge.
- Allow for clearance between the ground and deck, and between the deck and other potential obstructions, such as doors opening out over the deck.
- Allow for drainage and water control. Consult a suitably qualified professional if required.
- Allow for railing where necessary. Consult a suitably qualified professional if required.

Deck clearances and ventilation

- Provide a minimum of 38 mm (1.5") clearance between the underside of the deck boards and the substrate. Ensure the substrate, substructure and any adjacent materials are suitable for these conditions.
- Ensure at least 50% ventilation/airflow, especially in confined or low-clearance areas. Ensure the substrate, substructure and any adjacent materials are suitable for these conditions.
- Ensure the installation allows for adequate drainage.
- Consult local building codes for any specific deck clearance or ventilation requirements related to the application.
- Ensure that the installation allows for maintenance, pest control, etc.

4.2 Decking planning and installation

Below are guidelines to consider during the planning and installation of decking:

- The layout of a deck is often dictated by existing geometrical constraints on site. Best practice involves optimisation between the standard dimensions and constraints of the deck boards supplied with the desired aesthetics of the layout.
- Attempt to keep layouts symmetrical. As a result, where it is necessary to rip boards, rip both the first and last board of the deck footprint equally to balance the required widths. Where possible, avoid ripping boards at all.
- An ideal expansion gap size at maximum contraction would be 6 mm (0.237") to match that of the typical gap between boards installed parallel to each other.
- Use breaker boards and boarder boards to provide an aesthetically pleasing finish whilst assisting in controlling expansion and contraction.
- Use multiple combinations of shorter boards with breaker boards to balance long runs against expansion and contraction limitations.
- Butt joints can be installed so they align or are staggered. Both options have advantages and limitations with respect to aesthetics and installation practicality.
- Consider the orientation of the boards relative to typical foot traffic direction as well as the site layout. Typical approaches are to install deck boards parallel with the longest dimension of the site layout. In areas where better slip resistance is required, most composite textures have better slip resistance with the boards orientated perpendicular to common foot traffic direction. In general, Infinity deck boards have good slip resistance characteristics in all board orientations (please refer to the Infinity TDS for further information). Additionally, consider the length of the available space in relation to the lengths and widths of the boards available. In some cases, certain orientations can be very efficient from a material perspective. Finally, consider existing obstructions and their straightness, it is easier to cut board ends than it is to rip along board lengths to match uneven surfaces such as poorly built walls, flower beds, etc.

4.3 Decking planning and installation

Below is a brief set of steps to assist with optimising a layout so that the site and environmental influences, client requirements, and material impacts are taken into consideration.

- 1. Layout and environment:** Determine site layout/footprint and establish any critical environmental parameters that may influence the installation or performance of the installation. Particular aspects to consider include extreme temperature ranges, high corrosion classes, large catchment areas, steep slopes, etc.
- 2. Optimisation:** Optimise deck layout relative to the site layout and the deck board dimensions. Incorporate allowances for the established critical environmental aspects in Step 1. Cater for additional factors that may influence the layout such as expansion and contraction, preferred aesthetics, foot traffic, existing obstructions, clearances, railing, etc. This step may take several iterations. Establish the primary board orientation first, then incorporate supporting elements, such as breaker boards, perimeter boards, etc., where necessary. Once finalised, the quantity of deck boards can be determined.
- 3. Substructure, fasteners, and ancillaries:** With a layout finalised, the substructure can be outlined based on the required supports and spans. Aspects such as supports for railing, pergolas, etc. must be allowed for at this stage. Once established, the deck board and substructure layout will allow the type and number of fasteners required to be calculated. Ancillary items, such as railing, pergola, etc. parts, can then be quantified.

Below is an example that lays out the implementation of the steps suggested above. The same example deck discussed in **Section 3** is incorporated.



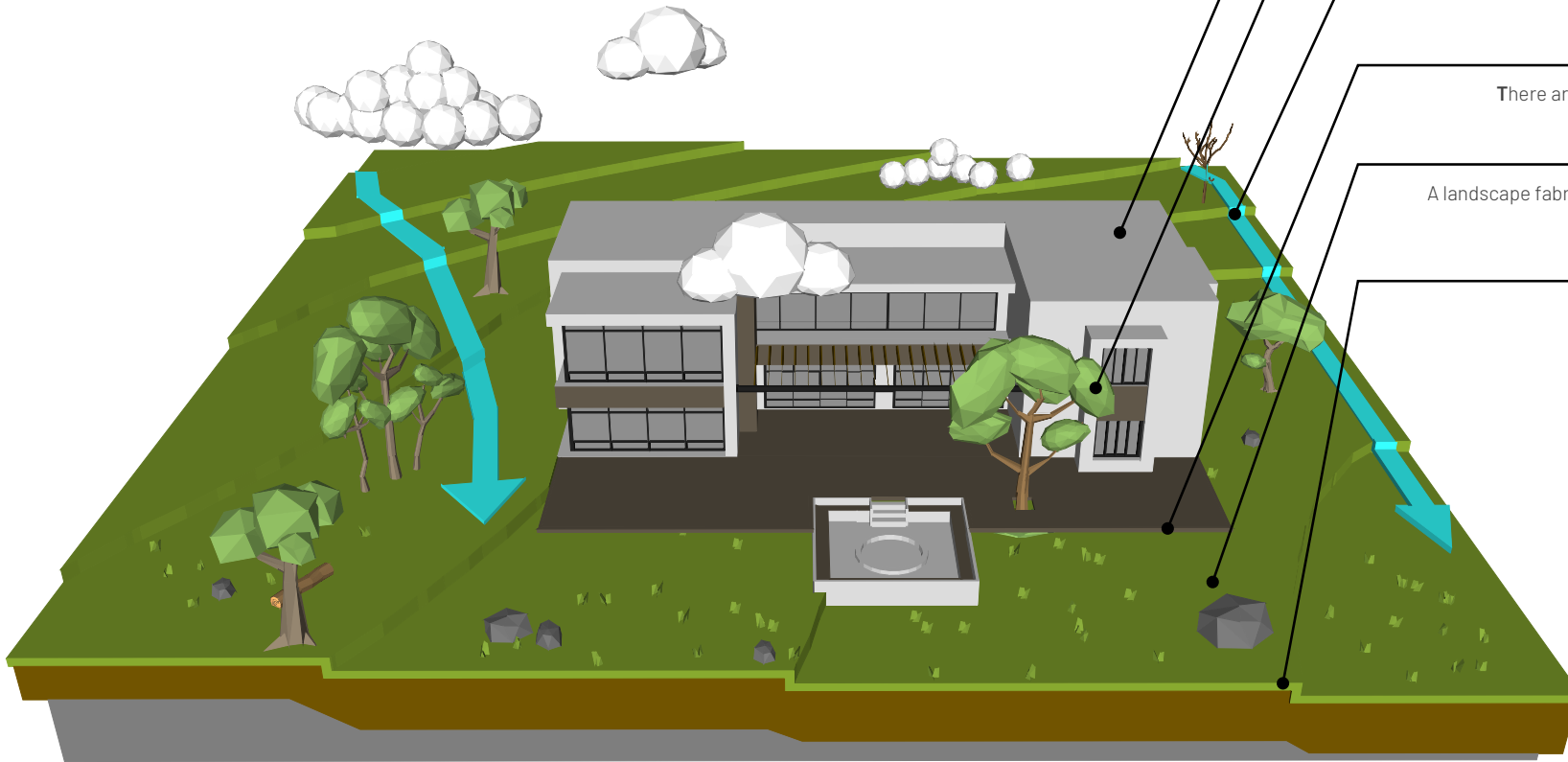
LOCATION AND MACRO ENVIRONMENTS

Bloemfontien is located on the southern edge of the South African highveld with record temperatures ranging between 40 °C and -10 °C, while falling under a typical C3 Class (moderate) atmospheric corrosion category with low salinity and only moderate pollution.



SITE ASSESSMENT OF THE MICRO ENVIRONMENT

A site assessment provided more specific details surrounding the building site and its environment.



PROPERTY TYPE
Residential

EXISTING FEATURES
An existing recessed Fire pit 450 mm drop .

HYDROLOGICAL
The deck requires no further intervention as water flows away from the deck to natural water catchment areas

UTILITIES
There are no utilities running across the footprint of the deck.

VEGETATION
A landscape fabric or plastic sheet should be applied beneath the deck to prevent vegetative growth beneath the deck.

TOPOGRAPHICAL
The ground has 2° slope resulting in a 900 mm drop from the final required floor height.



CUSTOMER PREFERENCES

The client has specified Infinity I-Series in the Tiger cove (dark brown) colour, with the boards running perpendicularly away from the building .

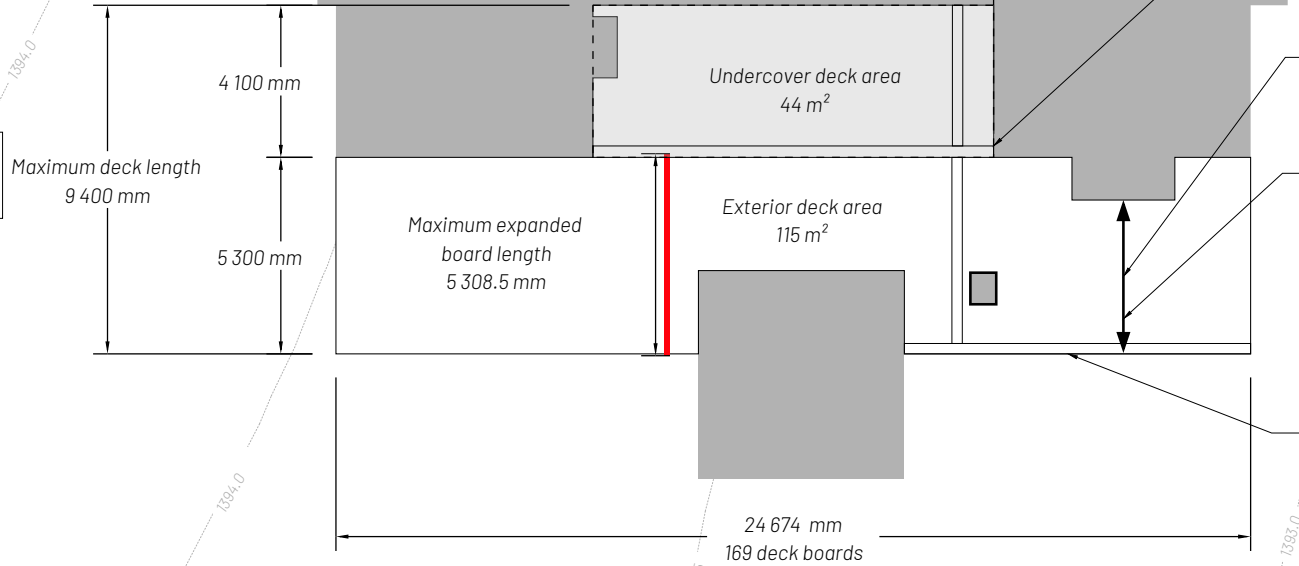


Board
Infinity-I-Series grooved board
Colour
Tiger cove (Dark brown)

DECK ASSESSMENT

A appropriately qualified professional has specified the structure and fastener combination to meet the environmental and loading requirements for the deck. In this example the professional has specified a galvanised steel frame and composite to steel deck fastener, specific to this site. The footprint of the deck has been assessed in relation to the dimensions of the specified deck board.

As boards are 5 450 m lengths, Two boards will be required to cover this length



Boards will require ripping and additional consideration per section 3.2

BOARD WIDTHS AND GAPS

Before laying boards, consider the cover width of a deck board (board width plus fastener gap), particularly in enclosed areas .

BREAKER BOARD AND BOARD LENGTH

The deck is 9 400 mm long while deck boards are a maximum of 5 450 mm, requiring a joint at some point. A breaker board can be used to control expansion gaps.

BOARD DIRECTION

The laying direction has been specified.

SLIP RESISTANCE

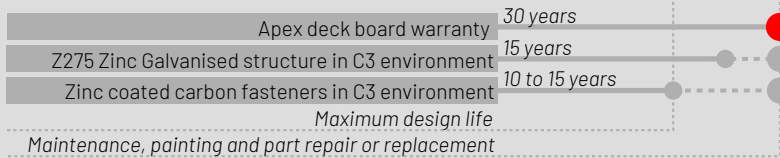
Board laying direction and finish have an impact on slip resistance. See the TDS for Slip resistance information.

RIM BOARDS

Starter boards and breaker boards can be used to finish and hide the deck edge.

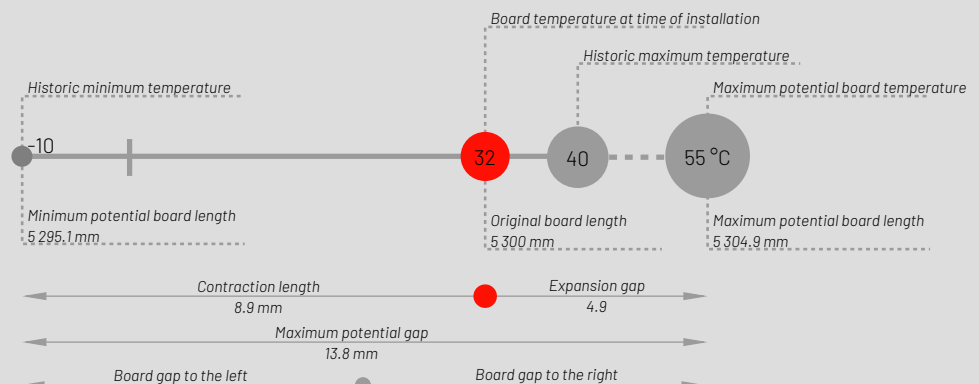
LIFESPAN DESIGN

The design life of a deck system requires balancing the lifespans of the individual components, to the part with the lowest life span. The system life expectancy can be extended with proactive maintenance, painting, and replacing parts once the part expires.



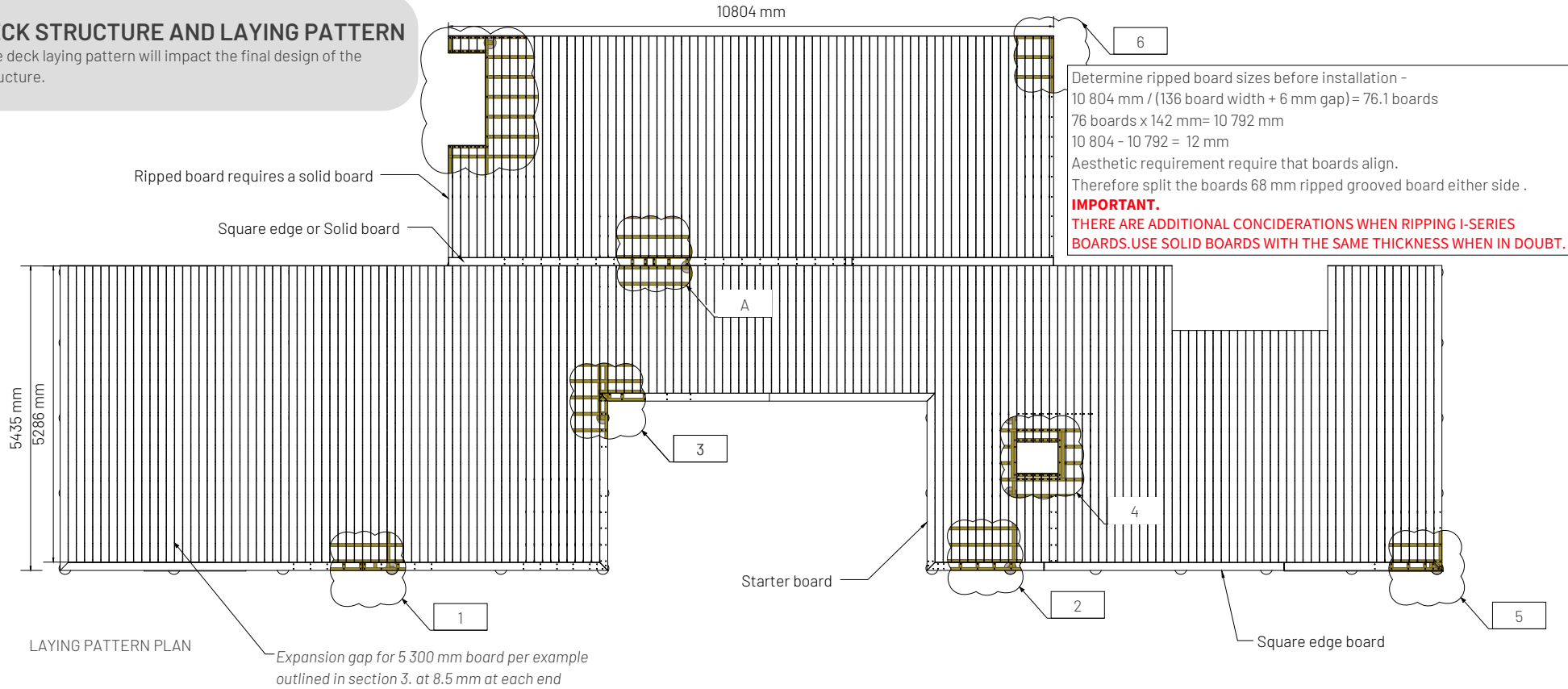
EXPANSION GAP CALCULATION

The final cut length of a board must take into consideration the possible changes in length of the board due to thermal expansion and contraction. The below infographic provides a summary of the example provided in section 3.5.2. as applied to the above deck example.

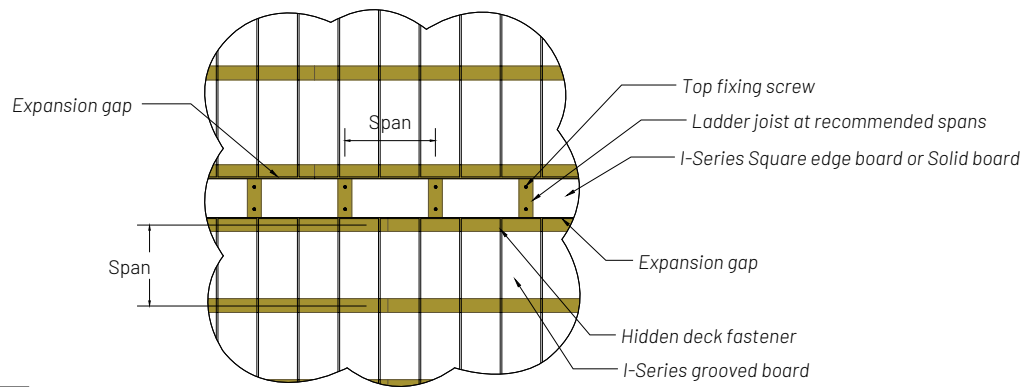


DECK STRUCTURE AND LAYING PATTERN

The deck laying pattern will impact the final design of the structure.

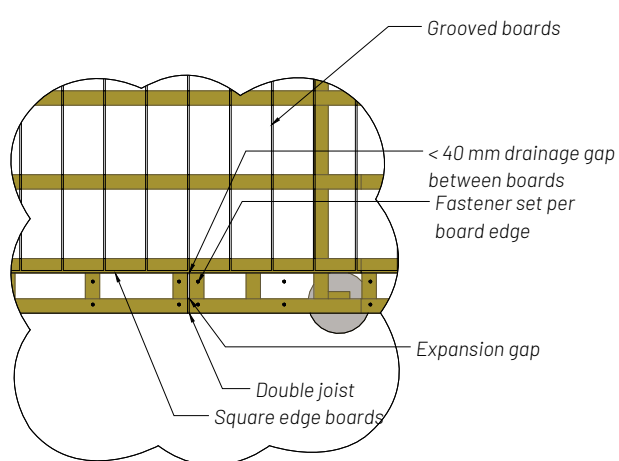


Determine ripped board sizes before installation -
 $10\ 804\ \text{mm} / (136\ \text{board width} + 6\ \text{mm gap}) = 76.1\ \text{boards}$
 $76\ \text{boards} \times 142\ \text{mm} = 10\ 792\ \text{mm}$
 $10\ 804 - 10\ 792 = 12\ \text{mm}$
 Aesthetic requirement require that boards align.
 Therefore split the boards 68 mm ripped grooved board either side .
IMPORTANT.
THERE ARE ADDITIONAL CONSIDERATIONS WHEN RIPPING I-SERIES BOARDS. USE SOLID BOARDS WITH THE SAME THICKNESS WHEN IN DOUBT.

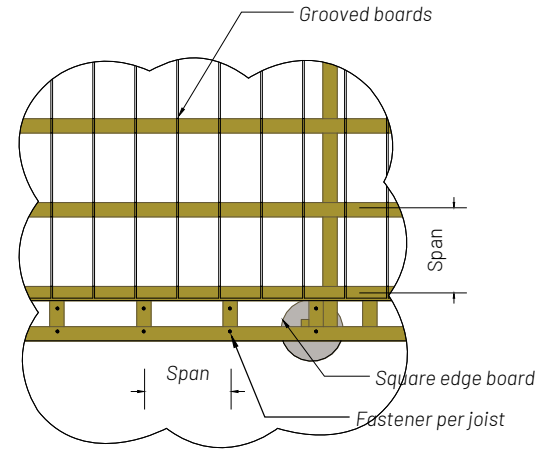


A Breaker board detail

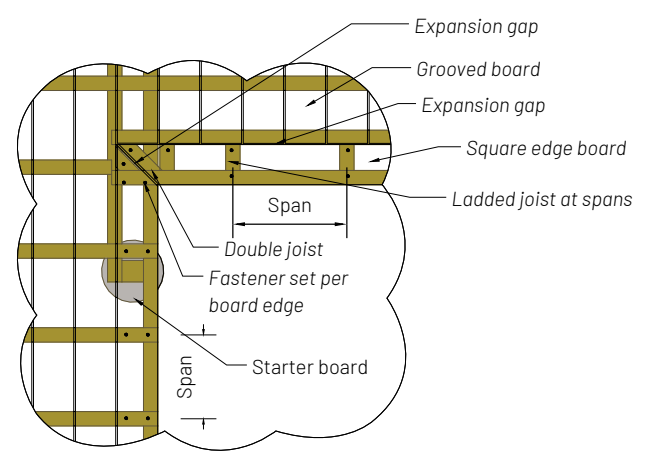
Deck scedule			
Profile	Size	Board length	Profile
Square edge board	136 x 25.4 mm	5 450 mm	
Grooved board	136 x 25.4 mm	5 450 mm	
Starter board	136 x 25.4 mm	5 450 mm	
Solid board	140 x 25.4 mm	5 450 mm	



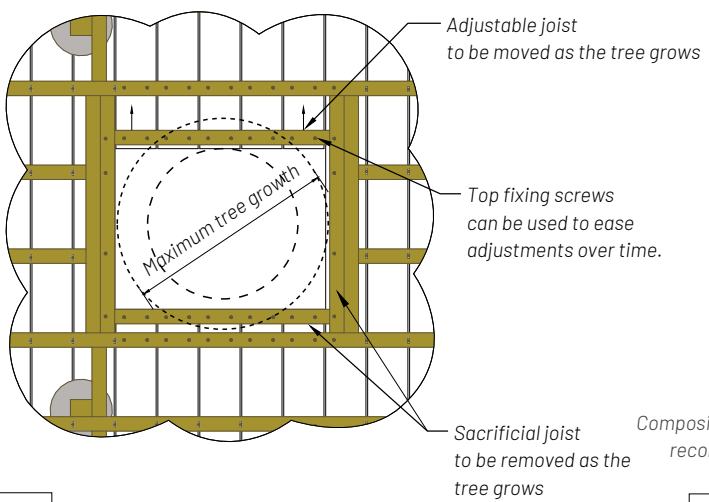
1 Double joist on abutting boards



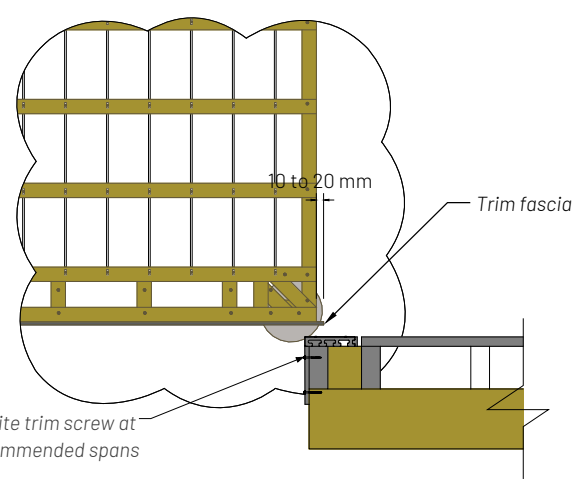
2 Ladder joist for breaker boards



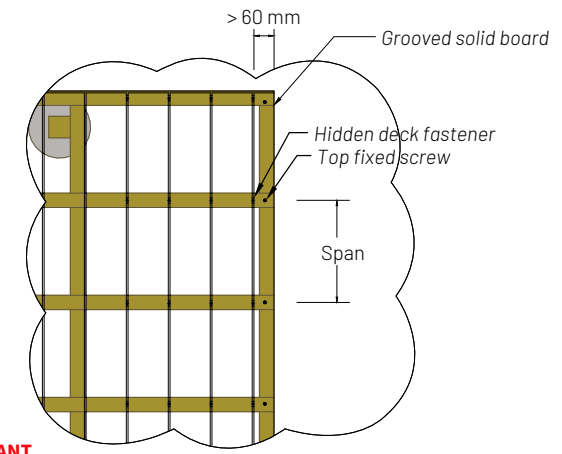
3 Mitre join detail on breaker boards



4 Board support around a tree



5 Trim detail



IMPORTANT.
THERE ARE ADDITIONAL CONSIDERATIONS WHEN RIPPING I-SERIES BOARDS. USE SOLID BOARDS WITH THE SAME THICKNESS WHEN IN DOUBT.

6 Ripped board detail

5. Disclaimer and copyright

5.1 Document disclaimer

The provided information is offered in good faith as accurate but without guarantee. Eva-Last makes no warranties or representations of any kind (express or implied) about the accuracy, adequacy, currency, or completeness of the information, or that it is necessarily suitable for the intended use.

Compliance with this document does not guarantee immunity from breach of any statutory requirements, building codes or relevant standards. The final responsibility for the correct design and specification rests with the designer and, for its satisfactory execution, with the contractor. Appropriate warnings and safe handling procedures should be provided to handlers and users.

While most data have been compiled from research, case histories, experience and testing, small changes in the environment can produce marked differences in performance. The decision to use a material, and in what manner, is made at your own risk. The use of a material and method may therefore need to be modified to its intended end use and environment.

Eva-Last, its directors, officers or employees shall not be responsible for any direct, indirect, or special loss or damage arising from, or as a consequence of, use of, or reliance upon, any information contained in this document or other documents referenced herein. Eva-Last expressly disclaims any liability which is based on or arises out of, the information or any errors, omissions, or misstatements herein.

5.2 Drawing disclaimer

All dimensions and specifications are offered in good faith as accurate but without guarantee. The information captured herein may not contain complete details. Eva-Last makes no warranties or representations of any kind (express or implied) about the accuracy, adequacy, currency, or completeness of the information, or that it is necessarily suitable for the intended use.

Compliance with this document does not guarantee immunity from breach of any statutory requirements, building codes or relevant standards. The final responsibility for the correct design and specification rests with the designer and, for its satisfactory execution, with the contractor.

5.3 Utilisation disclaimer

Legislation may differ between jurisdictions. Before installing any Eva-Last product, ensure that the application is rational and complies with the local regulations and building codes. Wherever necessary, consult a suitably qualified professional. Be sure to comply with material manufacturer specifications. Where manufacturers and building codes differ, revert to the building code requirements. Check that your choice of product is suitable for its intended application. For further product specification and information visit www.eva-last.com.

5.4 Copyright

If reprinted or reproduced or utilised in any form Eva-Last should be acknowledged as the source of the information.

Eva-Last periodically updates the information contained in this document as well as that of the Eva Last® documents that have been referenced herein. Before using this document, please refer to the Eva-Last website (www.eva-last.com) for the most up-to-date documents. Please also refer to the applicable websites.

Contact information

Eva-Last

Email: info@eva-last.com

Website: www.eva-last.com

Appendix A

Profiles and compatible fasteners

A.1 Infinity profile family

Below is a summary of profiles available in the Infinity material technology. Please refer to www.eva-last.com for profiles available to your regions.

Profile ID	Application type	Board width (mm) (inch)	Thickness (mm) (inch)	Mass per meter (kg/m) (lb/ft)	Cover width (1) (mm) (inch)	Coverage (2) (m/m ²) (ft/ft ²)	Coverage mass (3) (kg/m ²) (lb/ft ²)
<i>Infinity IS</i> STGJ06AE	I-Series - Grooved deck board	136.0 (5.355)	23.0 (0.905)	2.7 (1.81)	142.0 (5.591)	7.0 (2.133)	19.4 (3.94)
<i>Infinity IS</i> STGJ07AE	I-Series - Wide Grooved Deck Board	173.4 (6.827)	23.0 (0.905)	3.4 (2.29)	179.4 (7.063)	5.6 (1.707)	19.2 (3.93)
<i>Infinity</i> STGJ131	Solid Grooved Deck Board	136.0 (5.355)	23.0 (0.905)	3.9 (2.62)	142.0 (5.591)	7.0 (2.133)	27.6 (5.65)
<i>Infinity</i> STGJ132	Solid starter board - Single sided starter	173.4 (6.827)	23.0 (0.905)	4.0 (2.69)	142.0 (5.591)	7.0 (2.133)	28.1 (5.76)
<i>Infinity IS</i> STGJ02AE	I-Series - Grooved deck board	136.0 (5.355)	25.4 (1.000)	3.0 (2.01)	142.0 (5.591)	7.0 (2.133)	20.8 (4.26)
<i>Infinity IS</i> STGJ03AE	I-Series - Square edge deck board	136.0 (5.355)	25.4 (1.000)	2.9 (1.95)	142.0 (5.591)	7.0 (2.133)	20.2 (4.14)
<i>Infinity IS</i> STGJ04AE	I-Series - Starter grooved board	136.0 (5.355)	25.4 (1.000)	2.8 (1.88)	142.0 (5.591)	7.0 (2.281)	19.4 (3.97)
<i>Infinity IS</i> STGJ113	I-Series 113 - Grooved deck board	134.1 (5.280)	25.4 (1.000)	2.4 (1.61)	140.1 (5.516)	7.5 (2.286)	17.9 (3.67)
<i>Infinity</i> STGJ04XX	Solid grooved deck board	140.0 (5.512)	23.0 (0.905)	4.5 (3.02)	146.0 (5.749)	6.8 (2.073)	30.5 (6.25)
<i>Infinity</i> STGJ02AEN	Solid square edge board	140.0 (5.512)	25.5 (1.000)	4.4 (2.96)	146.0 (5.749)	6.8 (2.073)	30.3 (6.21)
<i>Infinity</i> STGJ30	Solid square edge deck board	140.0 (5.512)	23.0 (0.905)	3.9 (2.62)	146.0 (5.749)	6.8 (2.073)	26.6 (5.45)
<i>Infinity</i> STGJ0.5	Solid square edge deck board	140.0 (5.512)	25.4 (1.000)	4.0 (2.69)	146.0 (5.749)	6.8 (2.073)	27.5 (5.63)
<i>Infinity</i> STGJ20X	Square edge stair board	325.0 (12.796)	30.0 (1.182)	12.2 (8.19)	325.0 (12.796)	3.0 (0.914)	36.8 (7.54)
<i>Infinity</i> STGJ14	Fascia board	150.0 (5.906)	12.0 (0.473)	2.3 (1.55)	156.0 (6.142)	6.4 (1.951)	14.7 (3.01)
<i>Infinity</i> STGJ40	Fascia board	184.0 (7.245)	16.5 (0.650)	3.8 (2.55)	190.0 (7.481)	5.3 (1.615)	20.0 (4.09)
<i>Infinity</i> STGJ41	Fascia board	304.3 (11.981)	18.0 (0.709)	6.8 (4.57)	310.3 (12.217)	3.2 (0.975)	22.0 (4.51)
<i>Infinity</i> STGJ77	Screen board	70.0 (2.756)	16.0 (0.630)	1.4 (0.94)	76.0 (2.993)	13.2 (4.023)	18.4 (3.77)
<i>Infinity</i> STGJ58	Joist	35.0 (1.378)	35.0 (1.378)	1.3 (0.87)	N/A	N/A	N/A

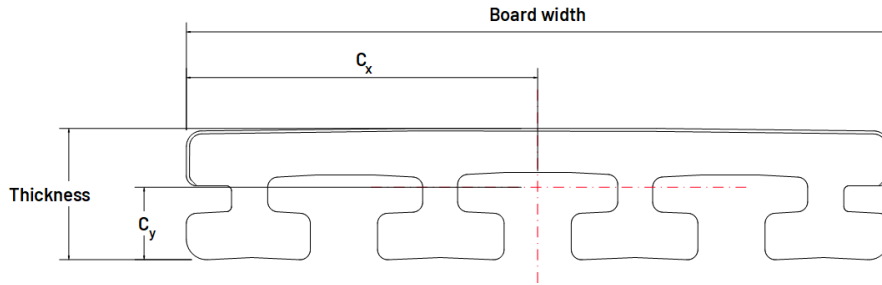
(1) Coverage width = Board width + an assumed typical gap of 6 mm (0.237").

(2) Coverage = 1000/Coverage width.

(3) Coverage mass = Coverage x mass per meter.

Sectional properties

The following table provides a sectional property summary of the currently available Infinity profiles in typical board orientation.



Profile details		Moments of inertia			Centroid		Elastic sectional modulus			
Profile ID	Application	Board width (mm) (inch)	Thickness (mm) (inch)	Area (mm ²) (in ²)	I _x (mm ⁴) (in ⁴)	I _y (mm ⁴) (in ⁴)	C _x (mm) (inch)	C _y (mm) (inch)	S _x (mm ³) (in ³)	S _y (mm ³) (in ³)
<i>Infinity</i> STGJ06AE	I-Series - Grooved deck board	136.0 (5.355)	23.0 (0.905)	2 115 (3.279)	106 857 (0.26)	3 446 765 (8.281)	68.0 (2.678)	12.8 (0.504)	8 376 (0.512)	50 680 (3.093)
<i>Infinity</i> STGJ07AE	I-Series - Wide Grooved Deck Board	173.4 (6.827)	23.0 (0.905)	2 649 (4.106)	132 923 (0.32)	6 796 615 (16.329)	86.0 (3.386)	12.7 (0.5)	10 426 (0.637)	78 996 (4.82)
<i>Infinity</i> STGJ131	Solid Grooved Deck Board	136.0 (5.355)	23.0 (0.905)	3 011 (4.667)	136 768 (0.329)	4 338 111 (10.423)	68.0 (2.678)	11.5 (0.453)	11 893 (0.726)	63 796 (3.893)
<i>Infinity</i> STGJ132	Solid starter board - Single sided starter	173.4 (6.827)	23.0 (0.905)	3 067 (4.754)	137 002 (0.33)	4 563 080 (10.963)	69.2 (2.725)	11.5 (0.453)	11 913 (0.727)	65 976 (4.026)
<i>Infinity</i> STGJ02AE	I-Series - Grooved deck board	136.0 (5.355)	25.4 (1.000)	2 368 (3.67)	144 053 (0.35)	3 821 506 (9.18)	68.0 (2.68)	14.0 (0.55)	10 292 (0.63)	56 210 (3.43)
<i>Infinity</i> STGJ03AE	I-Series - Square edge deck board	136.0 (5.355)	25.4 (1.000)	2 288 (3.55)	143 296 (0.35)	3 987 586 (9.58)	68.2 (2.69)	14.1 (0.56)	10 197 (0.62)	58 508 (3.57)
<i>Infinity</i> STGJ04AE	I-Series - Starter grooved board	136.0 (5.355)	25.4 (1.000)	2 208 (3.42)	134 807 (0.32)	3 772 763 (9.07)	68.6 (2.70)	14.4 (0.57)	9 363 (0.57)	55 036 (3.36)
<i>Infinity</i> STGJ113	I-Series 113 - Grooved deck board	134.1 (5.280)	25.4 (1.000)	1 700 (2.64)	124 689 (0.30)	2 947 690 (7.08)	67.1 (2.64)	14.8 (0.58)	8 434 (0.52)	43 967 (2.68)
<i>Infinity</i> STGJ04XX	Solid grooved deck board	140.0 (5.512)	23.0 (0.905)	3 556 (5.51)	191 506 (0.46)	5 765 232 (13.85)	70.0 (2.76)	12.8 (0.50)	15 020 (0.92)	82 361 (5.03)
<i>Infinity</i> STGJ02AEN	Solid square edge board	140.0 (5.512)	25.5 (1.000)	3 542 (5.49)	189 274 (0.46)	5 742 960 (13.80)	70.0 (2.76)	14 903 (0.91)	14 903 (0.91)	82 055 (5.01)
<i>Infinity</i> STGJ30	Solid square edge deck board	140.0 (5.512)	23.0 (0.905)	3 103 (4.81)	140 084 (0.34)	4 755 942 (11.43)	70.0 (2.76)	11.5 (0.45)	12 192 (0.74)	67 954 (4.15)
<i>Infinity</i> STGJ0.5	Solid square edge deck board	140.0 (5.512)	25.4 (1.000)	3 206 (4.97)	140 392 (0.34)	5 193 565 (12.48)	70.0 (2.76)	12.7 (0.50)	12 208 (0.75)	74 194 (4.53)
<i>Infinity</i> STGJ20X	Square edge stair board	325.0 (12.796)	30.0 (1.182)	9 736 (15.09)	728 503 (1.75)	85 460 747 (205.32)	162.5 (6.40)	15.0 (0.59)	48 592 (2.97)	525 938 (32.09)
<i>Infinity</i> STGJ14	Fascia board	150.0 (5.906)	12.0 (0.473)	1 786 (2.77)	21 221 (0.05)	3 296 470 (7.92)	75.0 (2.95)	6.0 (0.24)	3 537 (0.22)	43 953 (2.68)
<i>Infinity</i> STGJ40	Fascia board	184.0 (7.245)	16.5 (0.650)	3 033 (4.70)	68 669 (0.17)	8 536 716 (20.51)	92.0 (3.62)	8.3 (0.33)	8 324 (0.51)	92 806 (5.66)
<i>Infinity</i> STGJ41	Fascia board	304.3 (11.981)	18.0 (0.709)	5 470 (8.48)	147 350 (0.36)	42 088 861 (101.12)	152.1 (5.99)	9.0 (0.36)	16 383 (1.00)	276 638 (16.88)
<i>Infinity</i> STGJ77	Screen board	70.0 (2.756)	16.0 (0.630)	1 117 (1.73)	23 697 (0.06)	453 223 (1.09)	35.0 (1.38)	8.0 (0.32)	2 962 (0.18)	12 955 (0.79)
<i>Infinity</i> STGJ58	Joist	35.0 (1.378)	35.0 (1.378)	1 008 (1.56)	120 387 (0.29)	120 387 (0.29)	17.5 (0.69)	17.5 (0.69)	6 879 (0.42)	6 879 (0.42)

A.2 Compatible fasteners

Below is a summary of fasteners available for fixing the Infinity family of profiles. Please refer to www.eva-last.com for profiles available to your regions.

Fastener type	Size (mm) ("or #)	Length (mm) (")	Material	Note
S6 decking clip	6.0 (0.237)	38 (1.497)	SS 430	Compatible with boards that have a 6 mm groove height.
S9 decking clip	9.0 (0.335)	38 (1.497)	SS 430	Compatible with boards that have a 9 mm groove height.
Chain Collated decking clip	6.0 (0.237)	19 (0.749)	SS 316 or SS 304	Compatible with boards that have a groove height of between 6 mm and 12 mm. To be used with hand tool.
Clip screw for timber substructure	M 4.2 (# 8)	40 (1.575)	C 1022 SS 316	Compatible with all listed clips. Two corrosion resistance options.
Clip screw for metal substructure	M 4.2 (# 8)	31 (1.221)	C 1022	Compatible with all listed clips.
Top fixing deck screw for timber	M 5.0 (# 10)	63 (2.481)	C 1022 SS 305	For 20 to 25 mm thick boards into timber structures greater than 40 mm thick. Two corrosion resistance options.
Top fixing deck screw for metal	M 5.0 (# 10)	45 (1.772)	C 1022	For 20 to 25 mm thick boards into metal structures 0.8 to 2.0 mm thick.
Top fixing trim screw for timber	M 5.5 (# 10)	48 (1.890)	10 B 21 SS 316	For 11 to 16 mm thick boards into timber structures greater than 40 mm thick. Two corrosion resistance options.
Top fixing trim screw for metal	M 5.5 (# 10)	35 (1.378)	10 B 21 SS 410 H	For 11 to 18 mm thick boards into metal structures 0.8 to 2.0 mm thick. Two corrosion resistance options.

Appropriate fasteners must be employed relative to applicable legislation, the intended application, and the conditions present. Particular attention should be paid to the corrosion conditions of the site and the state of the substrate available. Applications should adhere to any applicable standards. All timber profiles should be treated appropriately, and all metal profiles should be coated appropriately. Movement of materials within the system can degrade connections over time, and it is prudent that this is avoided or reduced to an acceptable limit where possible. Coatings can degrade over time and regular, proactive maintenance should be employed.

Appendix B

Installation

Profile properties

Product code	-
Sectional area (mm ²)	-
Approximate mass (kg/m)	-



Sectional properties

I _x (mm ⁴)	-
I _y (mm ⁴)	-
C _x (mm)	-
C _y (mm)	-
S _x (mm ³)	-
S _y (mm ³)	-

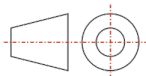
Drawing title

Grooved deck board installation

File name

Infinity Installation guide Appendix B

File details

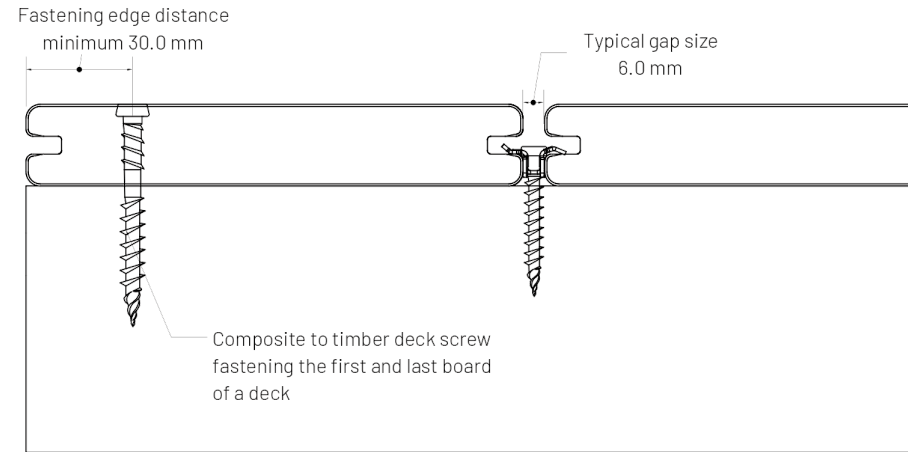
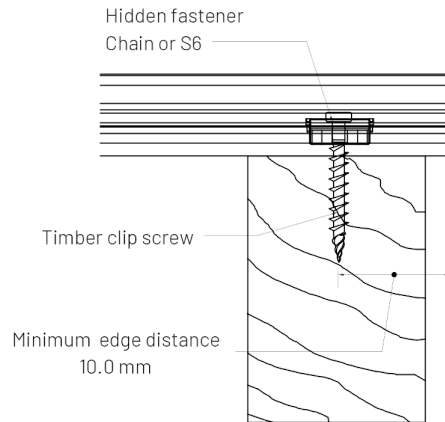


Drawing number	01
Date	July 7, 2023
Page	1 of 8
Scale	NTS
Unless otherwise specified all dimensions are in millimeters.	

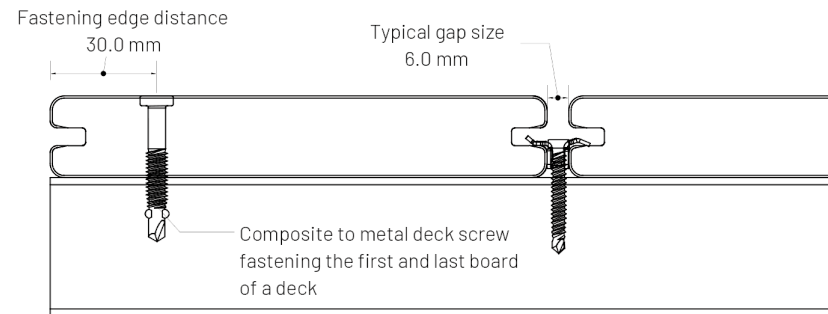
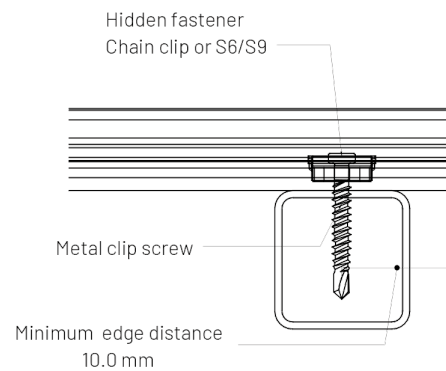
Issued for information. See supporting documentation for disclaimers and details.



A Grooved deck board
Scale 1:1



B1 Grooved deck board in a Timber application
Scale 1:2



B2 Grooved deck board in a metal application
Scale 1:2

Profile properties

Relevant profile codes

- STGJ131
- STGJ04XX



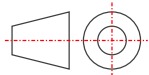
Drawing title

Grooved deck board installation

File name

2024-04-19 - Infinity and I-Series IG - Version

File details



Version number 03

Date April 19, 2024

Page 1 of 8

Scale NTS

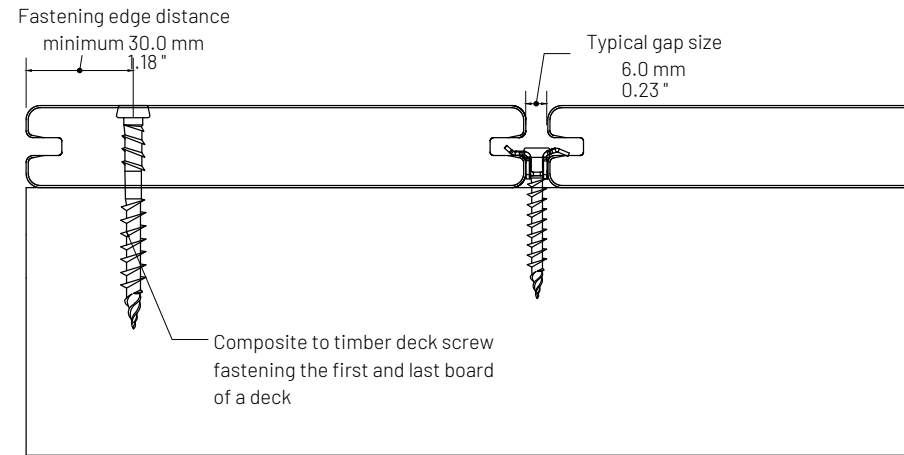
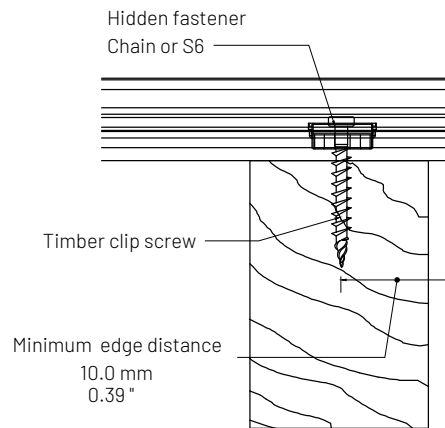
Unless otherwise specified all dimensions are in millimeters.

Issued for information. See supporting documentation for disclaimers and details.

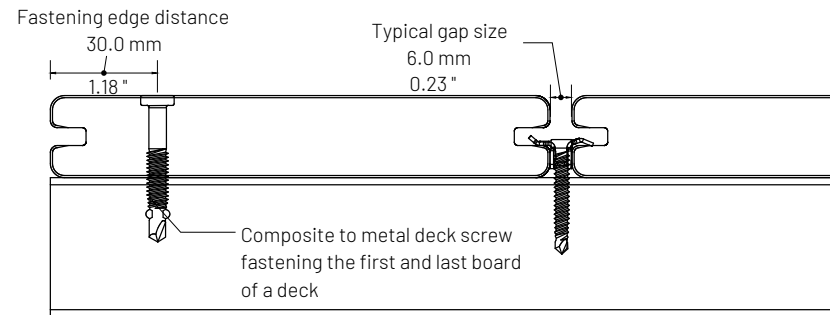
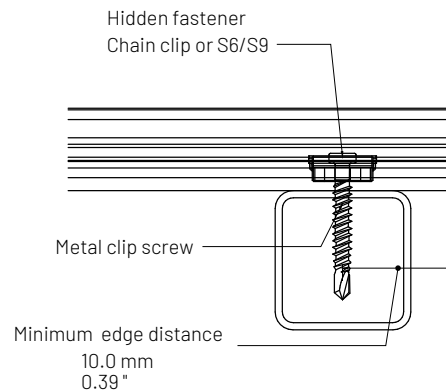
This drawing provides generic application drawings outlining a typical application. For profile dimensions please consult the TDS or CAD library.



A Grooved deck board
Scale 1:1



B1 Grooved deck board in a Timber application
Scale 1:2

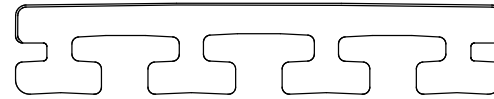


B2 Grooved deck board in a metal application
Scale 1:2

Profile properties

Relevant profile codes

- STGJ06AE - Grooved profile
- STGJ07AE - Grooved profile
- STGJ02AE - Grooved profile
- STGJ04AE - Starter profile



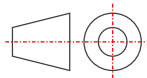
Drawing title

Grooved I-Series deck board installation

File name

2024-04-19 - Infinity and I-Series IG - Version

File details



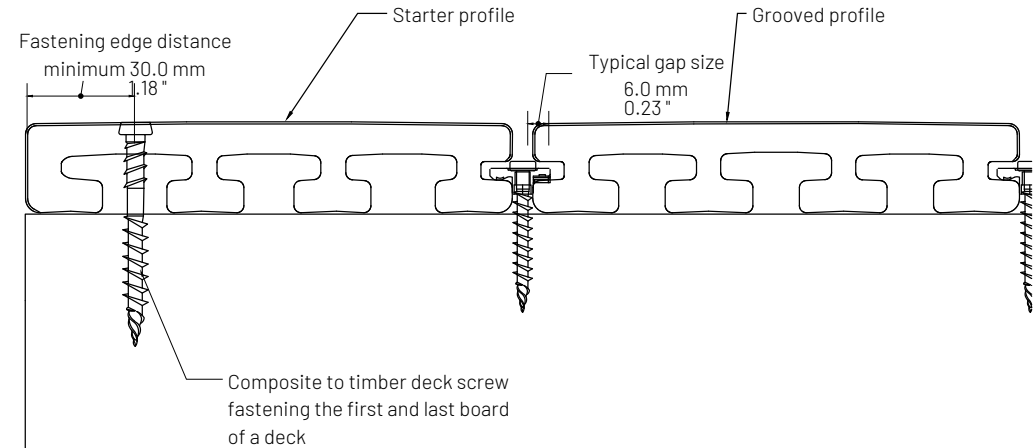
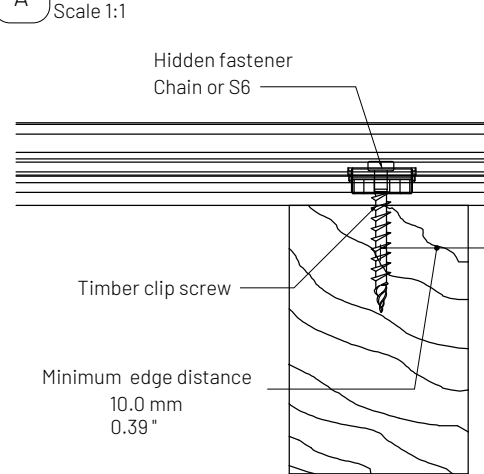
Version number	03
Date	April 19, 2024
Page	2 of 8
Scale	NTS
Unless otherwise specified all dimensions are in millimeters.	

Issued for information. See supporting documentation for disclaimers and details.

This drawing provides generic application drawings outlining a typical application. For profile dimensions please consult the TDS or CAD library.

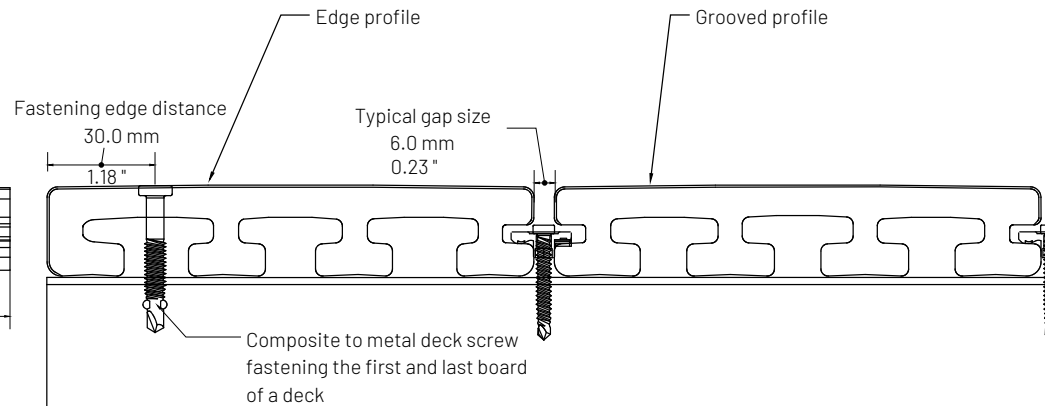
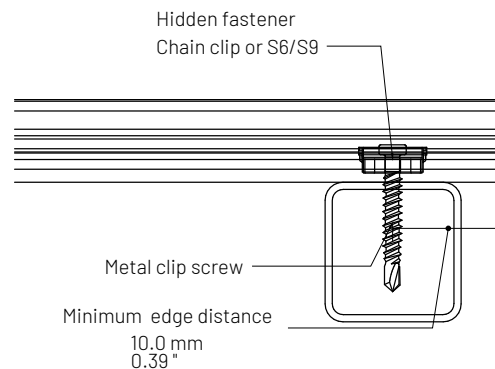


A Grooved I-Series deck board
Scale 1:1



Note: STGJ113 is not suitable for top fixing and a starter board must be used in this application.

B1 Grooved deck board in a Timber application
Scale 1:2



Note: STGJ113 is not suitable for top fixing and a starter board must be used in this application.

B2 Grooved deck board in a metal application
Scale 1:2

Profile properties

Relevant profile codes

- STGJ02AEN
- STGJ30
- STGJ0.5

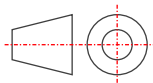
Drawing title

Square edge board installation

File name

2024-04-19 - Infinity and I-Series IG - Version

File details



Version number	03
Date	April 19, 2024
Page	3 of 8
Scale	NTS

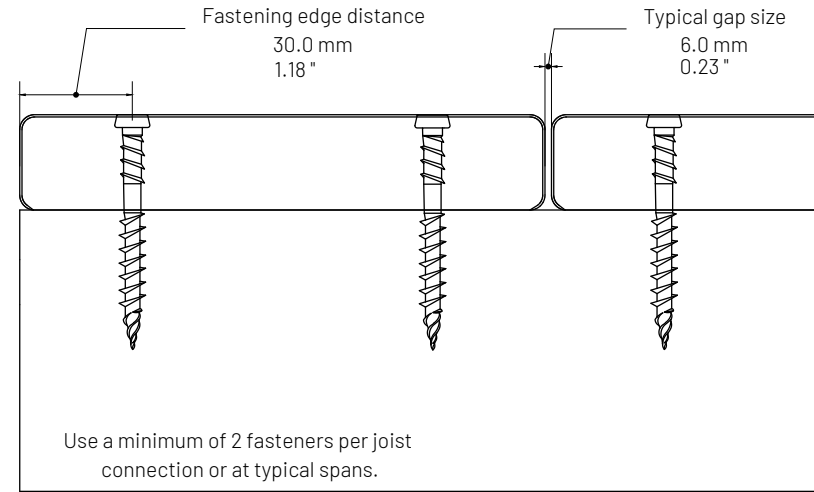
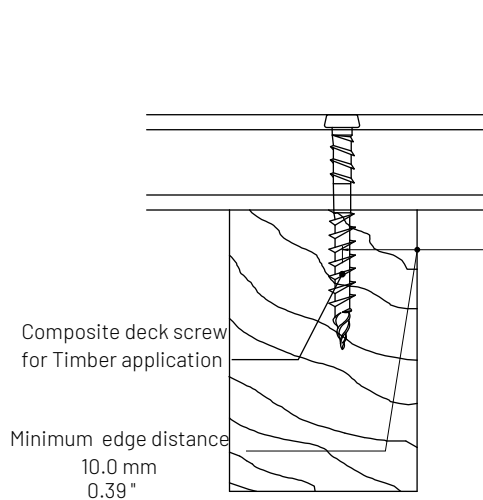
Unless otherwise specified all dimensions are in millimeters.

Issued for information. See supporting documentation for disclaimers and details.

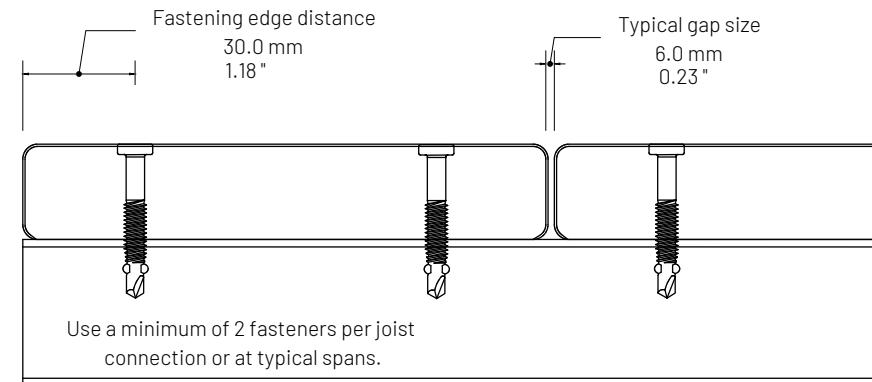
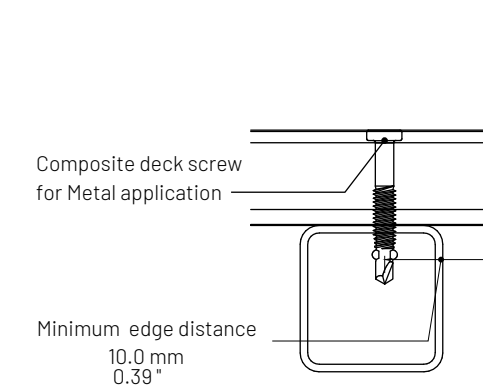
This drawing provides generic application drawings outlining a typical application. For profile dimensions please consult the TDS or CAD library.



A Square edge deck board
Scale 1:1



B1 Square edge board in a Timber application
Scale 1:2

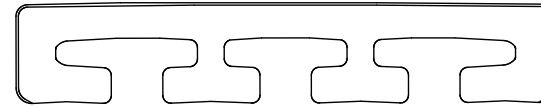


B2 Square edge board in a metal application
Scale 1:2

Profile properties

Relevant profile codes

- STGJ03AE - Square edge profile



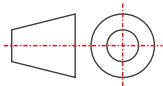
Drawing title

Square edge I-Series board installation

File name

2024-04-19 - Infinity and I-Series IG - Version

File details



Version number 03

Date April 19, 2024

Page 4 of 8

Scale NTS

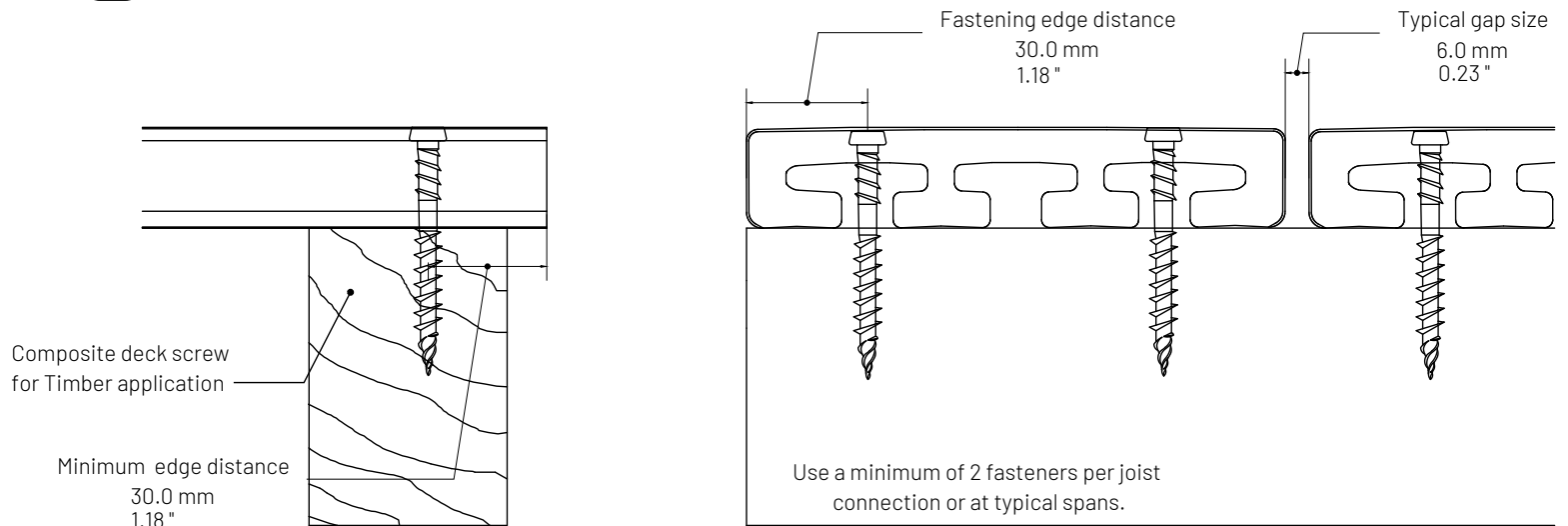
Unless otherwise specified all dimensions are in millimeters.

Issued for information. See supporting documentation for disclaimers and details.

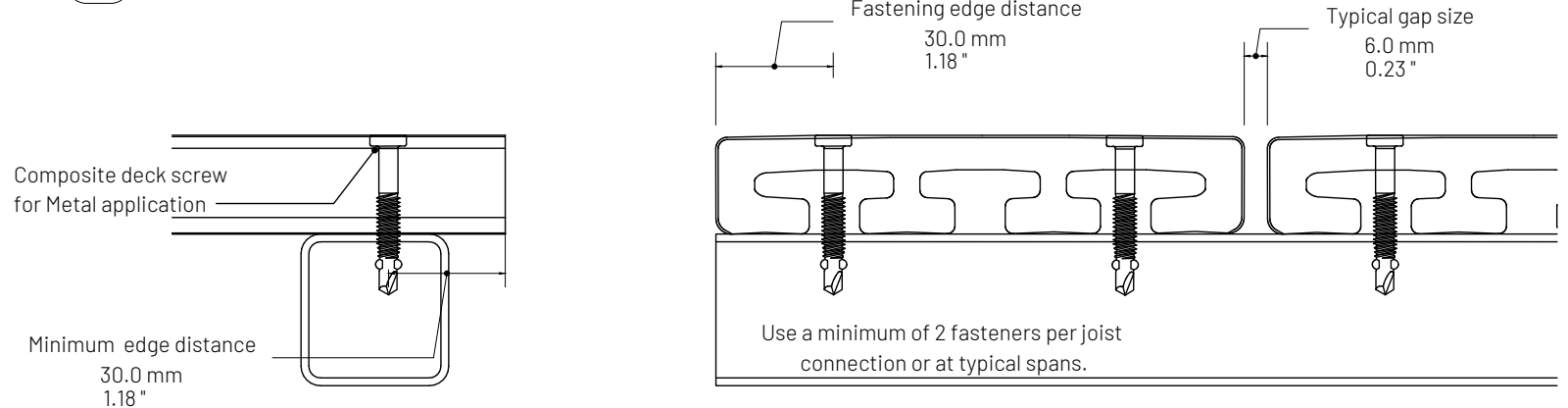
This drawing provides generic application drawings outlining a typical application. For



A Square edge deck board
Scale 1:1



B1 Square edge deck board in a Timber application
Scale 1:2



B2 Square edge deck board in a metal application
Scale 1:2

Profile properties

Relevant profile codes

- STGJ06AE - Grooved deck board
- STGJ07AE - Grooved deck board
- STGJ02AE - Grooved deck board
- STGJ04AE - Starter deck board



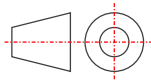
Drawing title

Starter board I-Series installation

File name

2024-04-19 - Infinity and I-Series IG - Version

File details



Version number 03

Date April 19, 2024

Page 5 of 8

Scale NTS

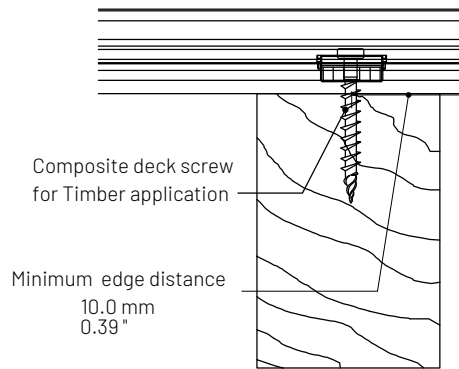
Unless otherwise specified all dimensions are in millimeters.

Issued for information. See supporting documentation for disclaimers and details.

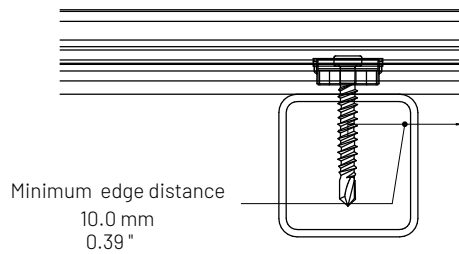
This drawing provides generic application drawings outlining a typical application. For profile dimensions please consult the TDS or CAD library.



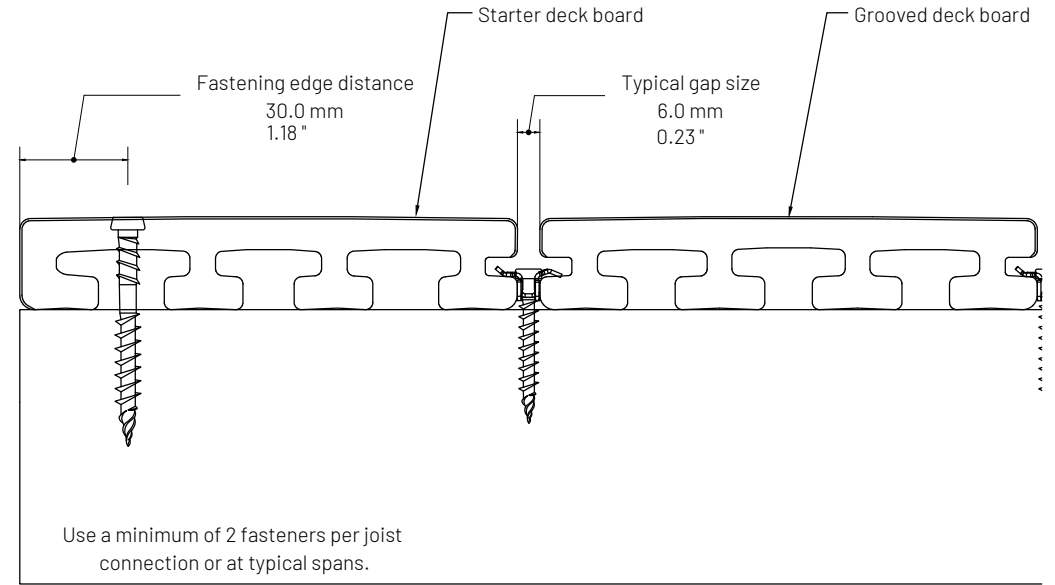
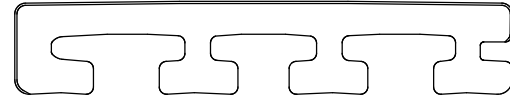
A Starter deck board
Scale 1:1



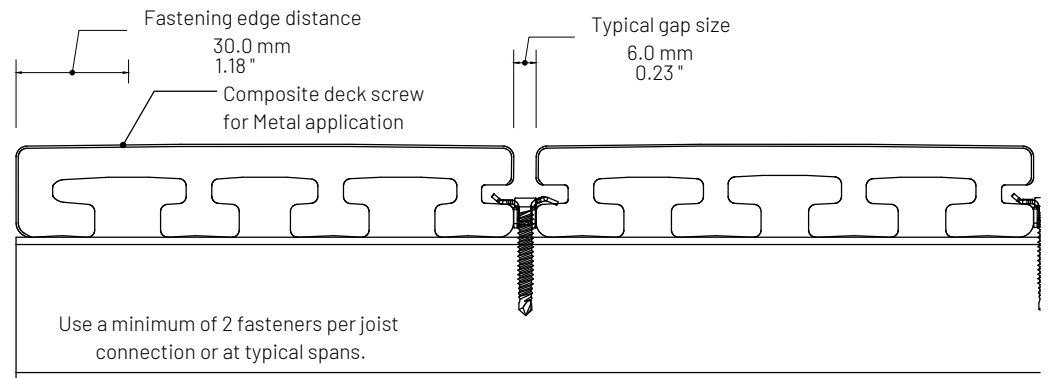
B1 Starter deck board in a Timber application
Scale 1:2



B2 Starter deck board in a metal application
Scale 1:2



Note: STGJ113 is not suitable for top fixing and a starter board must be used in this application.



Note: STGJ113 is not suitable for top fixing and a starter board must be used in this application.

Profile properties

Relevant profile codes

STGJ20X



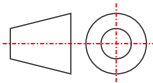
Drawing title

Stair tread installation

File name

2024-04-19 - Infinity and I-Series IG - Version

File details



Version number	03
Date	April 19, 2024
Page	6 of 8
Scale	NTS

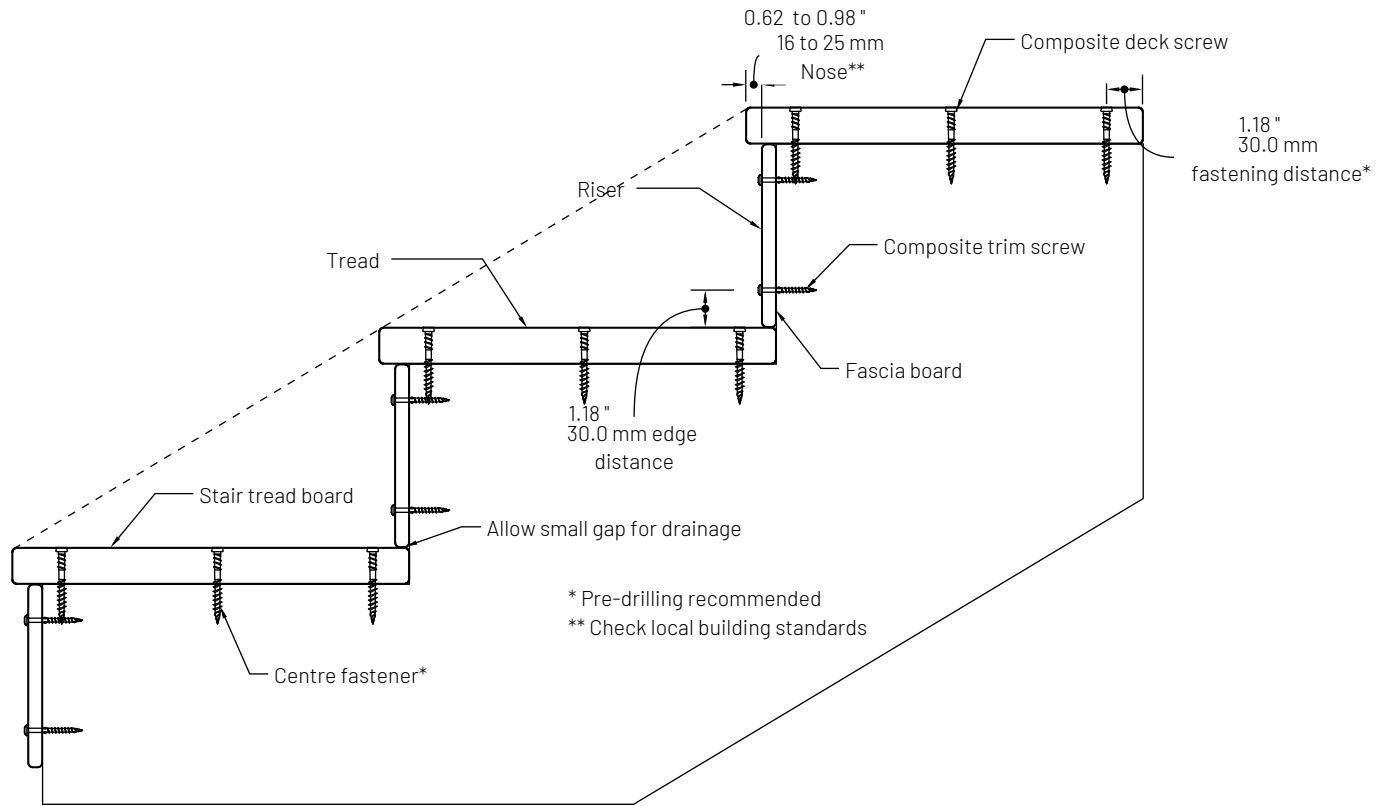
Unless otherwise specified all dimensions are in millimeters.

Issued for information. See supporting documentation for disclaimers and details.

This drawing provides generic application drawings outlining a typical application. For profile dimensions please consult the TDS or CAD library.



A Typical stair tread board
Scale 1:1



B1 Typical stair application
Scale 1:2

Profile properties

Relevant profile codes

- STGJ14
- STGJ40
- STGJ41
- STGJ77



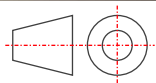
Drawing title

Fascia installation - metal application

File name

2024-04-19 - Infinity and I-Series IG - Version

File details

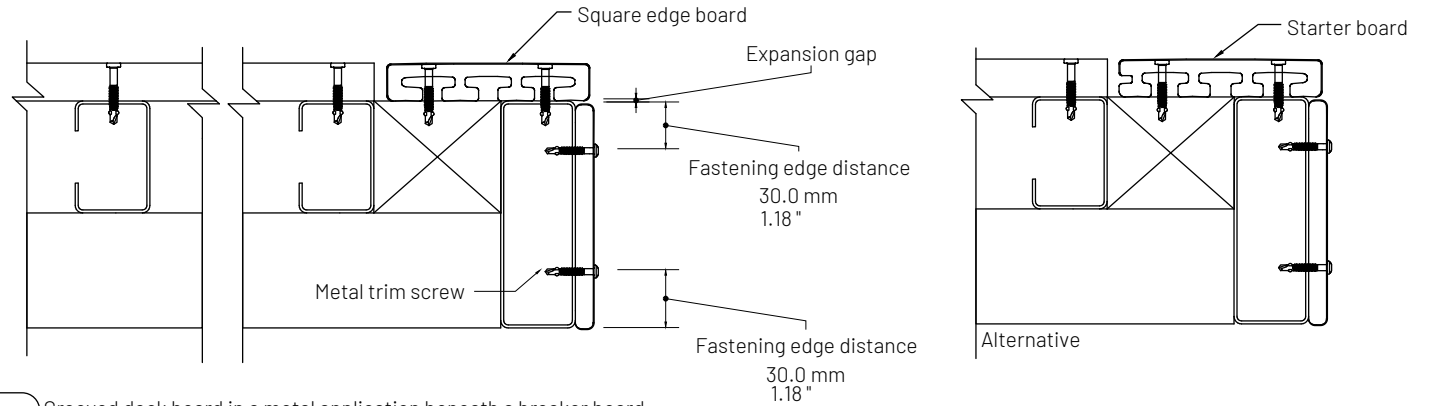


Version number	03
Date	April 19, 2024
Page	7 of 8
Scale	NTS

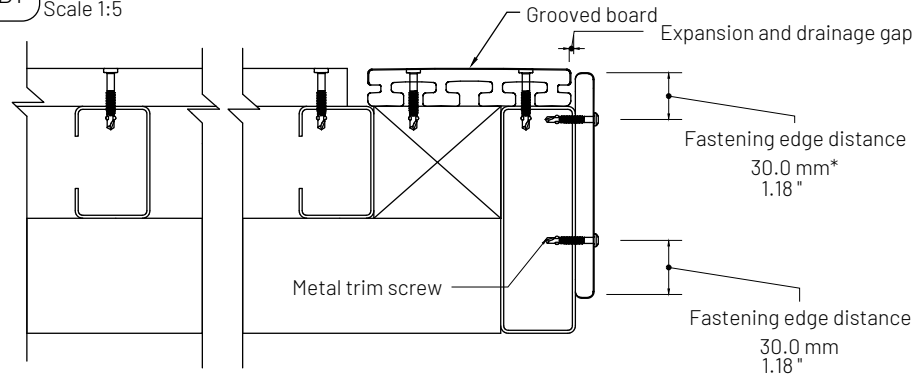
Unless otherwise specified all dimensions are in millimeters.

Issued for information. See supporting documentation for disclaimers and details.

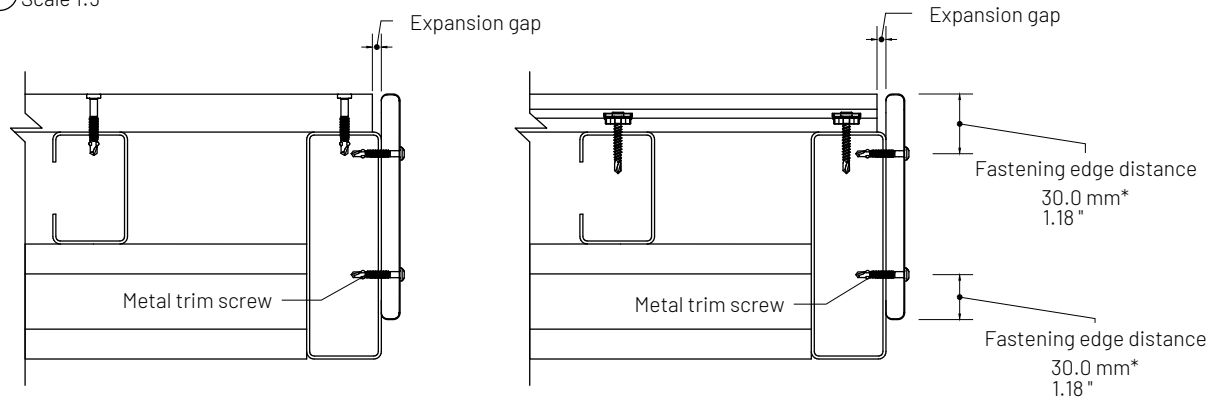
This drawing provides generic application drawings outlining a typical application. For profile dimensions please consult the TDS or CAD library.



B1 Grooved deck board in a metal application beneath a breaker board
Scale 1:5



B2 Grooved deck board in a metal application covering a grooved board edge
Scale 1:5



B3 Metal application covering board edges
Scale 1:2

Profile properties

Relevant profile codes

- STGJ14
- STGJ40
- STGJ41
- STGJ77



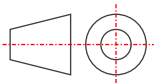
Drawing title

Fascia installation - timber application

File name

2024-04-19 - Infinity and I-Series IG - Version

File details

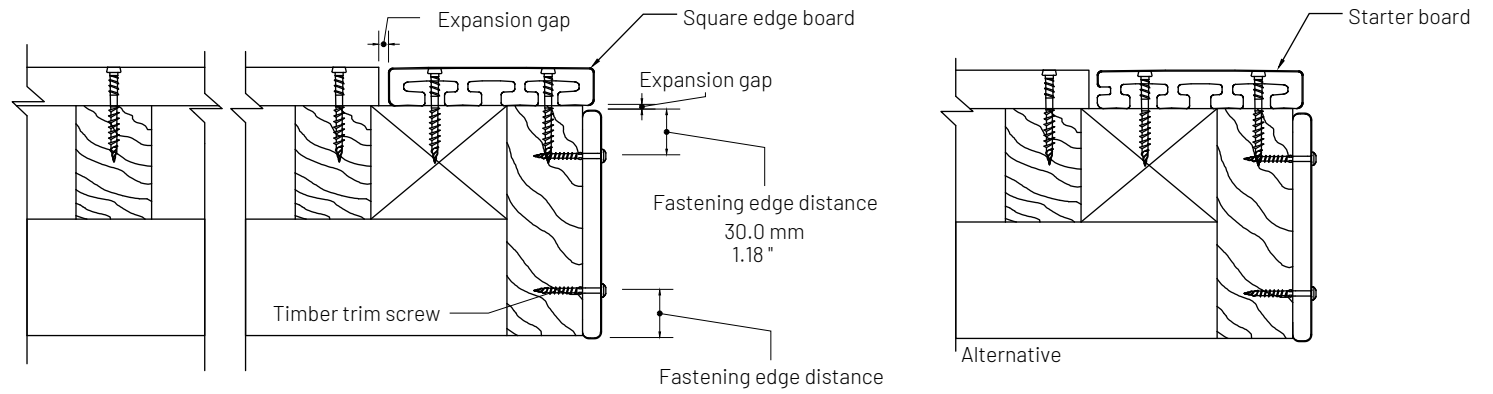


Version number	03
Date	April 19, 2024
Page	8 of 8
Scale	NTS

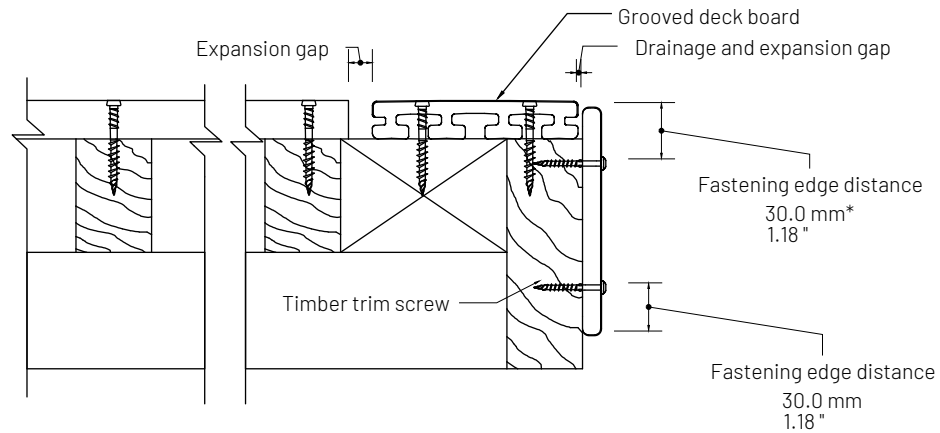
Unless otherwise specified all dimensions are in millimeters.

Issued for information. See supporting documentation for disclaimers and details.

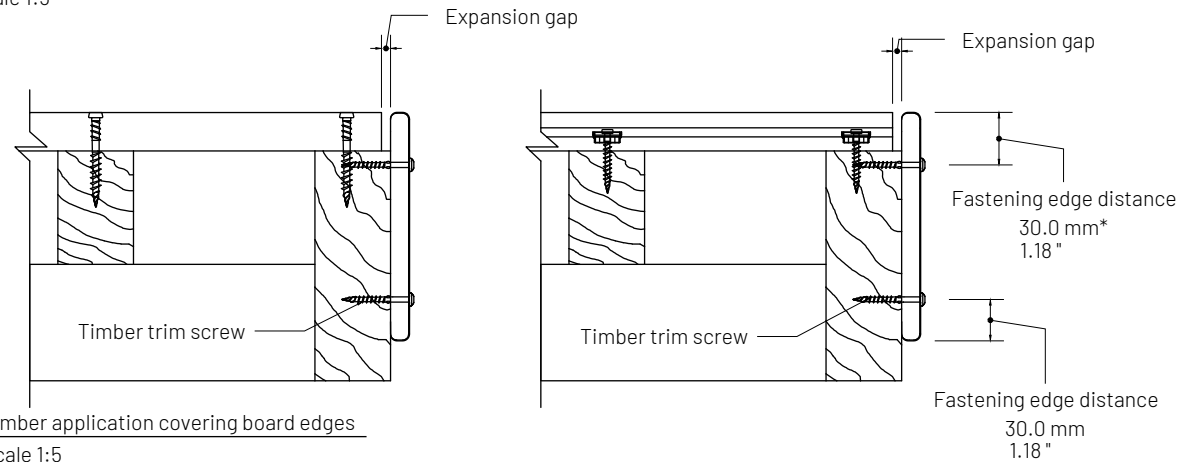
This drawing provides generic application drawings outlining a typical application. For profile dimensions please consult the TDS or CAD library.



B1 Grooved deck board in a Timber application beneath a breaker board
Scale 1:5



B2 Grooved deck board in a timber application covering a grooved board edge
Scale 1:5



B3 Timber application covering board edges
Scale 1:5

Appendix C

Summary of expansion gaps

Expansion coefficients

Per Section 3. When a material is heated or cooled, its length changes by an amount proportional to the original length and the change in temperature. The following table provides the expansion coefficient of common materials.

Material	Expansion coefficient (mm/mm/°C)	Expansion coefficient (inch/inch/°F)
Infinity (HDPE)	40.1 x 10 ⁻⁶	22.3 x 10 ⁻⁶
Altitude (HDPE)	40.1 x 10 ⁻⁶	22.3 x 10 ⁻⁶
Eva-tech (HDPE)	45.3 x 10 ⁻⁶	25.2 x 10 ⁻⁶
Apex (PVC)	70.0 x 10 ⁻⁶	38.9 x 10 ⁻⁶
Apex Plus (PVC + GFR)	33.4 x 10 ⁻⁶	18.5 x 10 ⁻⁶
Pioneer (PVC + GFR + PMMA Cap)	33.4 x 10 ⁻⁶	18.5 x 10 ⁻⁶
Lifespan (Aluminium)	24.0 x 10 ⁻⁶	13.3 x 10 ⁻⁶
Galvanised steel	12.5 x 10 ⁻⁶	6.9 x 10 ⁻⁶

Infinity

Summary matrix of estimated expansion gaps (to the nearest 0.5 mm) for Infinity material technology at different board lengths and different increases in board temperature relative to the installation temperature.

Coefficient	Required expansion gap (mm) estimate per increase in temperature relative to the installation temperature (°C)												
	1	5	10	15	20	25	30	35	40	45	50	55	60
Board length (m)	°C	°C	°C	°C	°C	°C	°C	°C	°C	°C	°C	°C	°C
1.0 m	0.00	0.25	0.50	0.50	0.75	1.00	1.25	1.50	1.75	1.75	2.00	2.25	2.50
2.0 m	0.00	0.50	0.75	1.25	1.75	2.00	2.50	2.75	3.25	3.75	4.00	4.50	5.00
3.0 m	0.00	0.50	1.25	1.75	2.50	3.00	3.75	4.25	5.00	5.50	6.25	6.75	7.50
4.0 m	0.25	0.75	1.75	2.50	3.25	4.00	5.00	5.75	6.50	7.50	8.25	9.00	9.75
5.0 m	0.25	1.00	2.00	3.00	4.00	5.25	6.25	7.25	8.25	9.25	10.25	11.25	12.25
5.45 m	0.25	1.00	2.25	3.25	4.50	5.50	6.75	7.75	9.00	10.00	11.25	12.25	13.50
5.8 m	0.25	1.25	2.50	3.50	4.75	6.00	7.25	8.25	9.50	10.75	12.00	13.00	14.25

Below is a summary matrix of estimated expansion gaps per technology, converted to inches using a conversion factor of 0.556 from mm/mm/°C. These values are rounded to three decimal places and are calculated for various board lengths and different temperature increases relative to the installation temperature.

Coefficient	Required expansion gap (inches) estimate per increase in temperature relative to the installation temperature (°F)												
	34	41	50	59	68	77	86	95	104	113	122	131	140
Board length (ft)	°F	°F	°F	°F	°F	°F	°F	°F	°F	°F	°F	°F	°F
1.0 ft	0.000	0.000	0.000	0.010	0.010	0.010	0.010	0.020	0.020	0.020	0.020	0.030	0.030
3.0 ft	0.000	0.010	0.010	0.020	0.030	0.040	0.040	0.050	0.060	0.069	0.069	0.079	0.089
6.0 ft	0.000	0.010	0.030	0.040	0.060	0.069	0.089	0.099	0.119	0.128	0.148	0.158	0.178
9.0 ft	0.000	0.020	0.040	0.069	0.089	0.109	0.128	0.158	0.178	0.197	0.217	0.247	0.266
12.0 ft	0.010	0.030	0.060	0.089	0.119	0.148	0.178	0.207	0.237	0.266	0.296	0.325	0.355
15.0 ft	0.010	0.040	0.069	0.109	0.148	0.188	0.217	0.256	0.296	0.335	0.365	0.404	0.443
18.0 ft	0.010	0.040	0.089	0.128	0.178	0.217	0.266	0.306	0.355	0.394	0.443	0.483	0.532

Appendix D

Corrosion references

Fastener Durability

Screw corrosion classification

The following table is provided for information only and provides a summary of typical fasteners, their coating thicknesses, and respective lifespans in different corrosion zones, based on ISO 9223. In all cases consult an appropriately qualified professional.

Red - the fastener is not suitable.

Orange - The protective coating is suitable for some composite product systems. See appropriate TDS document for more information.

Green - The coating is suitable for the given environment and most composite systems.

Tick (✓) - The material itself is suitable for the given environment and most composite systems.

Fastener category	ISO 9223 corrosion category			C3	C4	C5	C5+
	Material	Coating	Zinc corrosion rate	0.7 to 2.1 (µm/annum)	2.1 to 4.2 (µm/annum)	4.2 to 8.4 (µm/annum)	8.4 to 25 (µm/annum)
			Coating Thickness	Expected lifespan of fastener coatings (years)			
Carbon clip screws							
Carbon deck screws	C1022	Magni 599 (full coat)	20 µm	10 to 28	5 to 10	2 to 5	< 1 to 2
Carbon Frame screws							
Carbon trim screws	10B21		20 µm	10 to 28	5 to 10	2 to 5	< 1 to 2
Tek screw	C1022	Class 3	25 µm	12 to 35	6 to 12	3 to 6	1 to 3
		Class 4	50 µm	24 to 72	12 to 24	6 to 12	2 to 6
		Zinc plated	8 µm				
Stainless Steel S clips	SS430	Enamel		✓	✓		
Stainless clip screw		Magni 599 (full coat)	20 µm	10 to 28 + ✓	5 to 10 + ✓	2 to 5 + ✓	< 1 to 2 + ✓
Stainless deck screw	SS316	Enamel head coating	N/a	✓	✓	✓	✓
Stainless trim screw							
Stainless chain clip	SS316	Polypropylene (PP)	600 µm	✓	✓	63 to 130 ✓	✓

Material corrosion rates

The following table provides typical corrosion rates ($\mu\text{m} / \text{annum}$) for common materials seen in composite building systems. Not all materials are published in relation to ISO 9223 corrosion rates but are indicated by source material as suitable for certain environments. It has been assumed that references to a marine environment would be equivalent to a C5 environment.

Red - the fastener is not suitable

Orange - The protective coating is suitable for some composite product systems. See appropriate TDS document for more information.

Green - The coating is suitable for the given environment and most composite systems

Tick (✓) - The material itself is suitable for the given environment and most composite systems

Material Category	Corrosion rates ($\mu\text{m}/\text{annum}$) of constituents in different corrosion zones					Note
	ISO 9223 corrosion category	C3	C4	C5	C5+	
	Equivalent category	Rural	Urban	Marine	Marine Industrial	
Zinc		0.7 to 2.1	2.1 to 4.2	4.2 to 8.4	8.4 to 25	
Copper		0.6 to 1.3	1.3 to 2.8	2.8 to 5.6	5.6 to 10	Per published ISO 9223 rates
Aluminium					negligible	
Steel	Carbon	25 to 50	50 to 80	80 to 200	200 to 700	
Stainless steel	SS410	✓	x	x	x	Per ASKzn website.
	SS430	✓	v	0.0381	0.0406	Unrelated to ISO 9223
	SS316	✓	✓	0.0051	0.0076	
Plastics	Polypropylene (PP)	✓	✓		4.6 to 7.5	Per online sources.
	Polypropylene (PE)	✓	✓		4.3 to 9.5	Unrelated to ISO 9223

Appendix E

Troubleshooting

Common complaints	Typical issues	Potential solution
Deck is bouncy or springy.	Inappropriate spans.	Reduce spans and/or provide additional supports.
Deck boards sag between joists.	Inappropriate spans.	Reduce spans and/or provide additional supports.
Deck board ends lift or tent.	Inappropriate fastening distance from edge of the board and/or overhang.	Fasten board down closer to the board edge. Ensure board support and substructure are adequate. Ensure appropriate overhang distance.
Expansion gap is too large.	The installed gap did not consider potential minimum board temperatures for the site.	Refit using appropriate expansion gaps. Make use of shorter boards and/or breaker boards.
Ends of the deck boards are no longer even.	Boards were not left to acclimatise before installation and/or boards were installed at different temperatures without allowing for this.	Now that the boards have acclimatised, cut the boards to the same lengths. Ensure this is done at a consistent temperature to avoid similar problems in the future.
Boards 'tent' at butt joints.	Inappropriate expansion gaps.	Calculate correct expansion gap for site and cut board ends to satisfy. Make use of breaker boards and similar where possible.
Board end sags under load.	Inappropriate board overhang.	Ensure board end is adequately supported within 20 mm of board end.
Screws snapping.	Inappropriate number of fasteners per board and/or over-tightening/over-torquing of screws and/or incorrect fastener utilised for the application.	Ensure appropriate fastener is used. Ensure two fasteners (hidden clips or top fixings) are used at every joist. Ensure appropriate torque settings are utilised.
Boards are cracking at board edges in vicinity of top-fixing screws.	Inappropriate fastening edge distance and/or pre-drilling.	Replace board and ensure top fixing to edge distances are correct. Pre-drill in low-temperature installations.
'Mushrooming' occurring at top-fixings.	Over-tightening/over-torquing of screws and/or high deck board temperatures during installation.	Ensure appropriate torque settings are utilised. Avoid installations at particularly high site temperatures. Pre-drill the fastening holes.
Deck is squeaky.	Board-clip-substructure interaction is producing a noise when loaded.	Replace hidden fastener with a smaller fastener and/or a fastener with a suitable polymer coating.
Fasteners are driving through the I-Series profile	Not using a depth stopping bit and driving too fast to control the drill.	Use a depth stopping bit. Drive the fastener until the fastener head is about to hit the material and slow down and slowly fasten the board down.
Top fixing the I-Series profiles causes the profile to crack at the end.	Inappropriate edge distance.	Adjust edge distance.