

How To.



HANDI-HILANDER GARDEN SHED

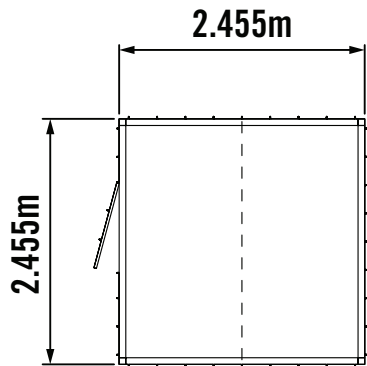
SIZING GUIDE

TYPE-1 SHEDS [SIDE DOOR]

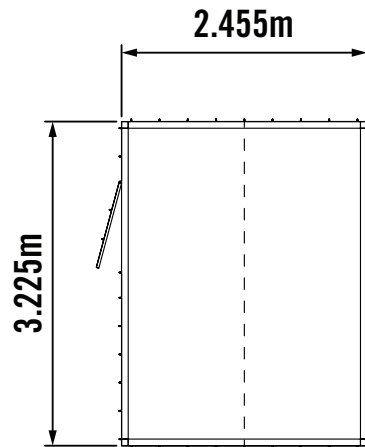
- ALL DIMENSIONS ARE TO OUTSIDE OF WALL CLADDING.
- SIDE DOORS CAN BE MOVED ALONG THE SHED IN 275mm INCREMENTS. A MINIMUM DISTANCE IN FROM CORNERS MUST BE MAINTAINED (REFER BELOW)

[MIN. DIST. IN FROM CORNERS; HH1=350mm, HH2=320mm, HH3=320mm, HH4=430mm]

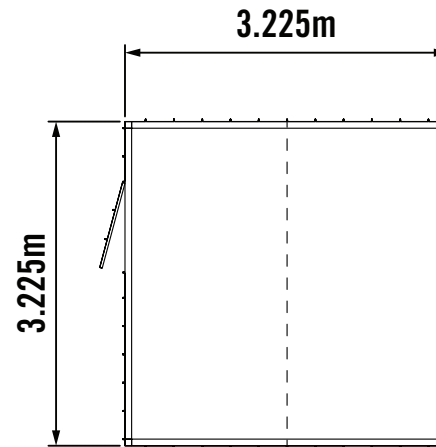
HH1
TYPE-1



HH2
TYPE-1



HH3
TYPE-1



HH4
TYPE-1

